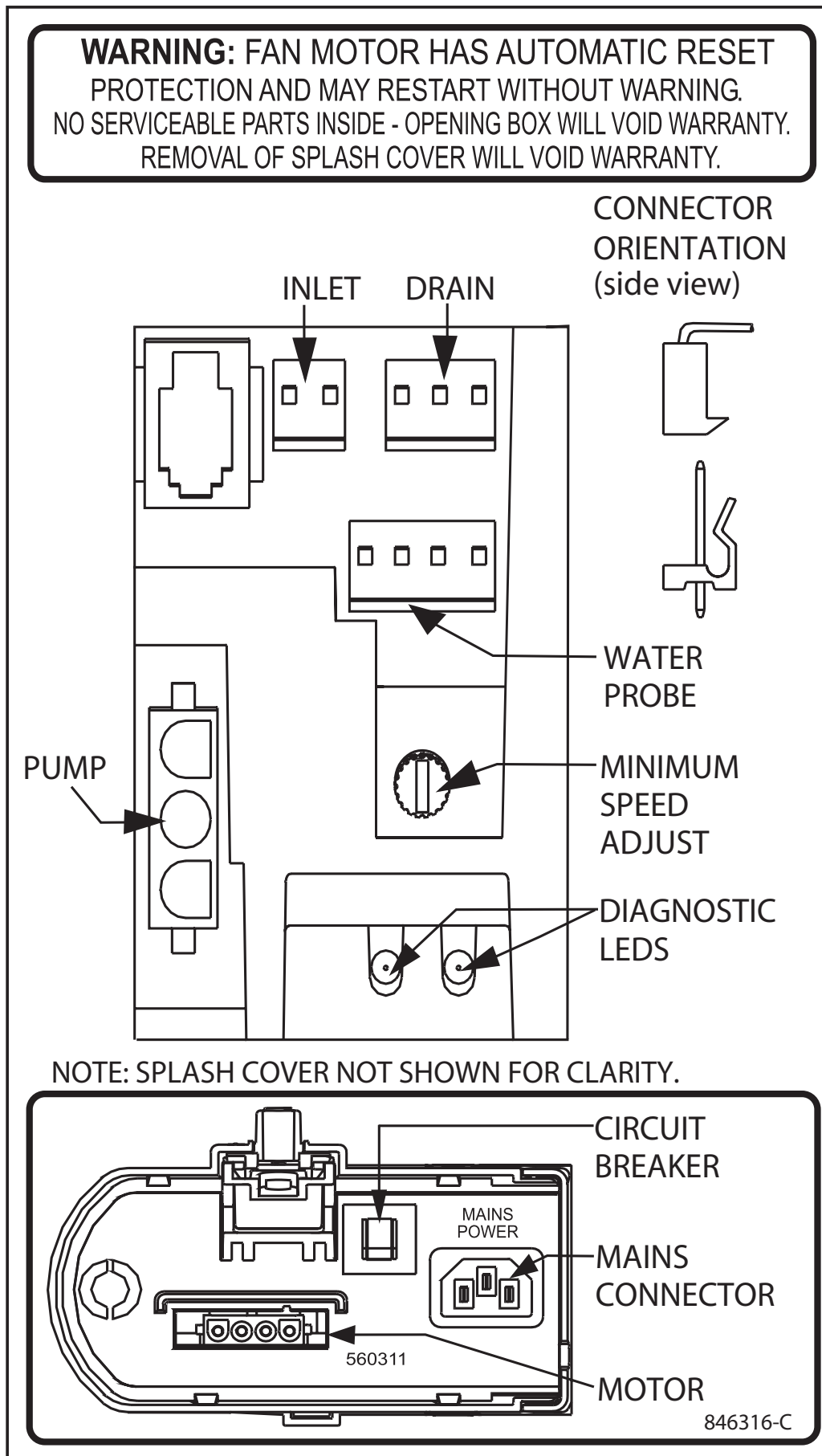


VARIABLE SPEED CONTROL – CPMD – CONNECTIONS



It is the policy of Seeley International to introduce continual product improvement. Accordingly, specifications are subject to change without notice. Please consult with your dealer to confirm the specifications of the model selected.

WIRING DIAGRAM – 2 SPEED – 1 PHASE – PRE JAN 2006

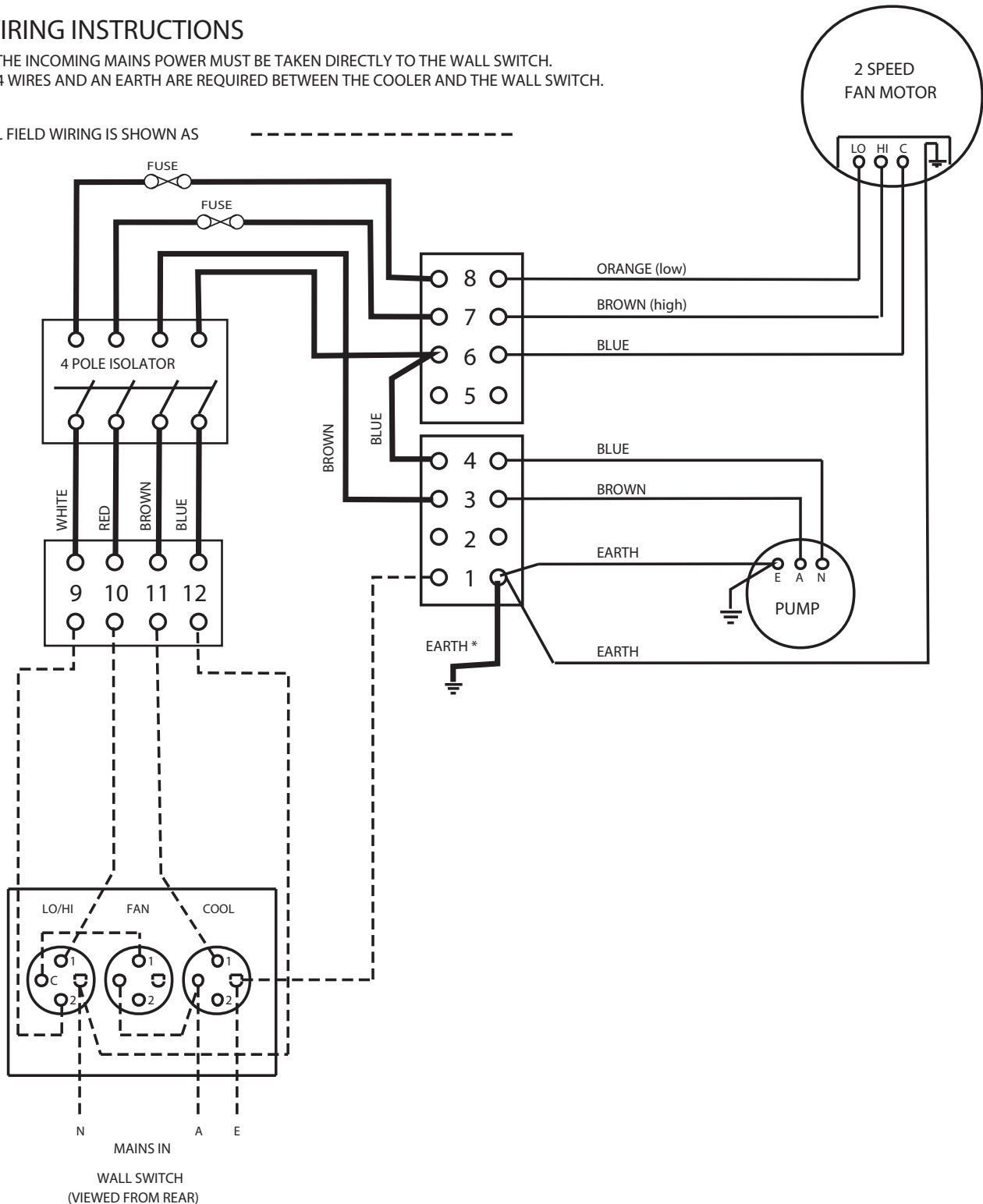
**THESE WIRING INSTRUCTIONS FOR UNITS MADE PRIOR TO JANUARY 2006
WHERE THE MAINS POWER IS SUPPLIED TO WALL SWITCH**

TWO SPEED SINGLE PHASE RPC WIRING DIAGRAM 107196 ISOLATION BOX

WIRING INSTRUCTIONS

1. THE INCOMING MAINS POWER MUST BE TAKEN DIRECTLY TO THE WALL SWITCH.
2. 4 WIRES AND AN EARTH ARE REQUIRED BETWEEN THE COOLER AND THE WALL SWITCH.

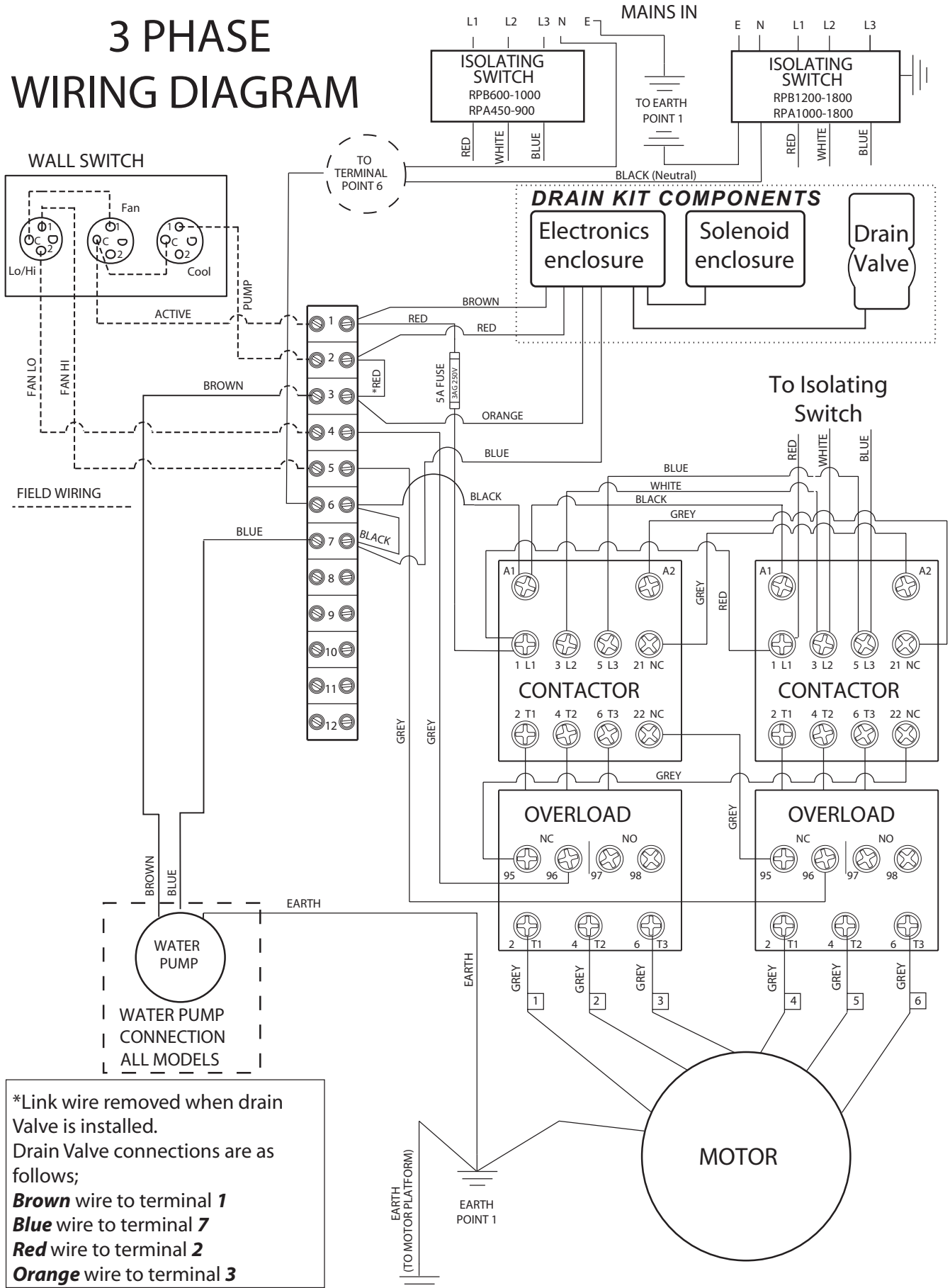
ALL FIELD WIRING IS SHOWN AS -----



It is the policy of Seeley International to introduce continual product improvement. Accordingly, specifications are subject to change without notice. Please consult with your dealer to confirm the specifications of the model selected.

WIRING DIAGRAM – 2 SPEED – 3 PHASE - pre NEON WALL SWITCH

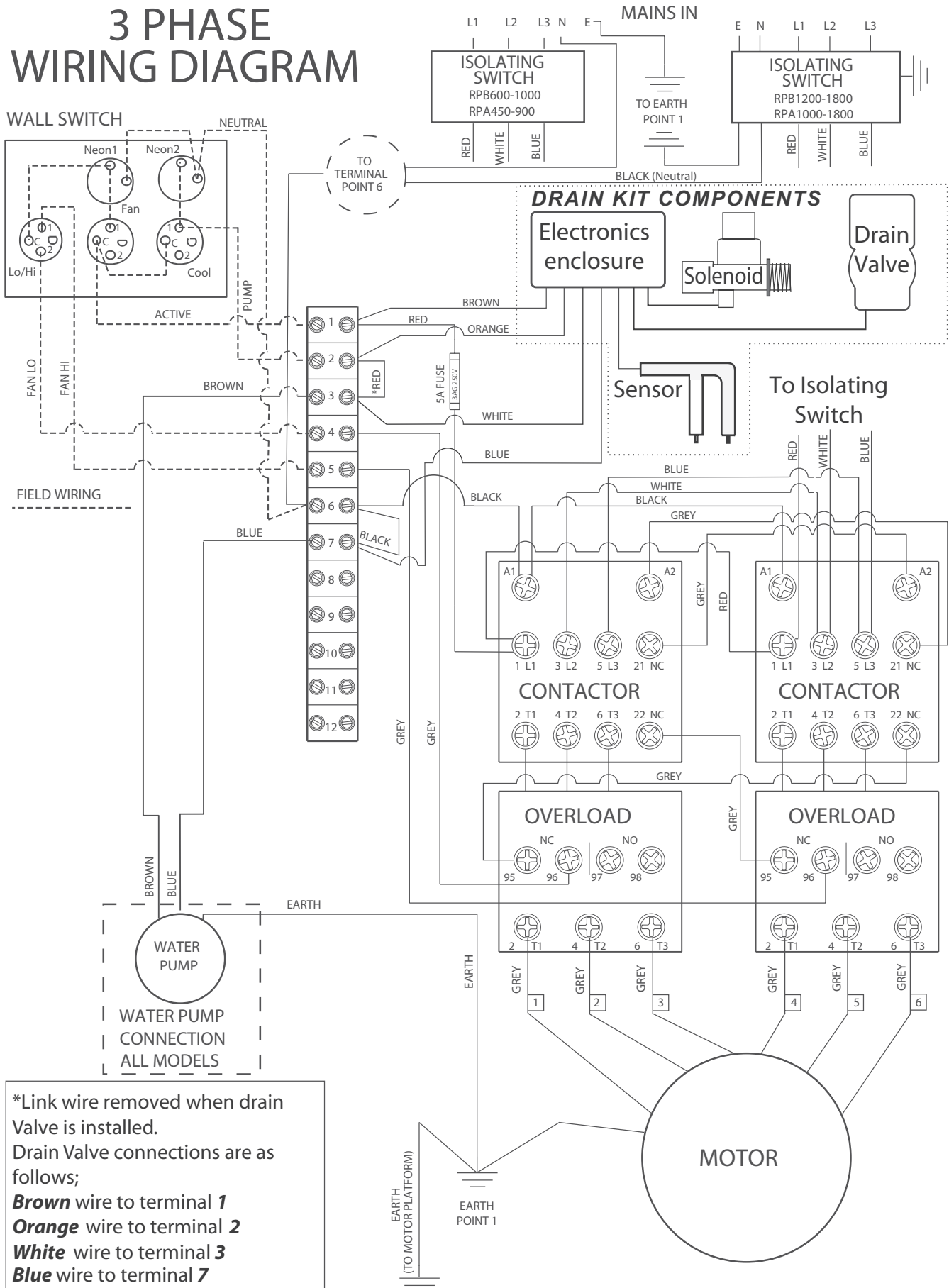
3 PHASE WIRING DIAGRAM



It is the policy of Seeley International to introduce continual product improvement. Accordingly, specifications are subject to change without notice. Please consult with your dealer to confirm the specifications of the model selected.

WIRING DIAGRAM – 2 SPEED – 3 PHASE - NEON WALL SWITCH

3 PHASE WIRING DIAGRAM



*Link wire removed when drain Valve is installed.
Drain Valve connections are as follows;
Brown wire to terminal **1**
Orange wire to terminal **2**
White wire to terminal **3**
Blue wire to terminal **7**

It is the policy of Seeley International to introduce continual product improvement. Accordingly, specifications are subject to change without notice. Please consult with your dealer to confirm the specifications of the model selected.

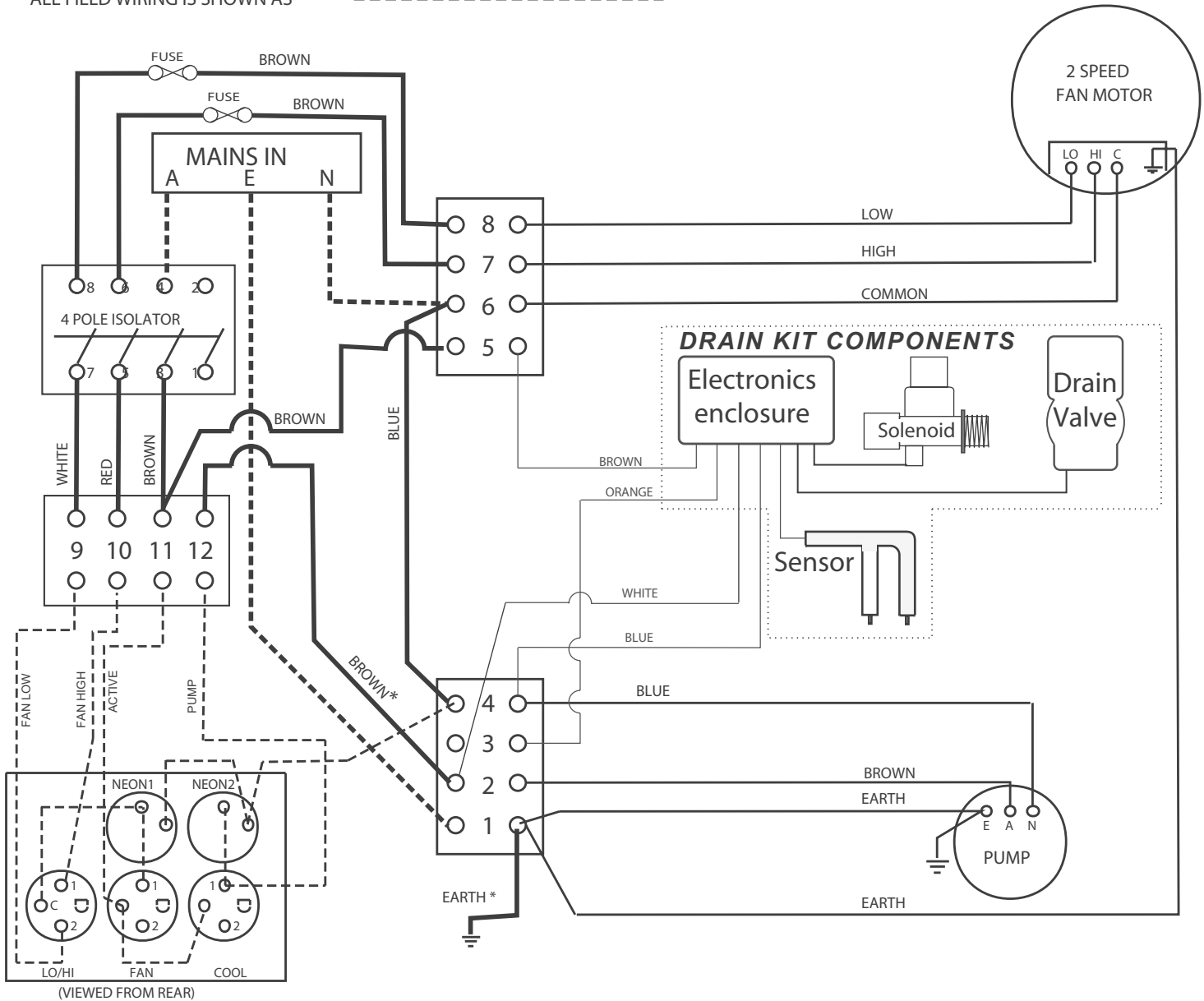
WIRING DIAGRAM – 2 SPEED – 1 PHASE - NEON WALL SWITCH

THESE WIRING INSTRUCTIONS ARE FOR UNITS MADE FROM JANUARY 2006

WIRING INSTRUCTIONS

1. THE INCOMING MAINS POWER MUST BE TAKEN DIRECTLY TO THE COOLER.
2. 5 WIRES ARE REQUIRED BETWEEN THE COOLER AND THE WALL SWITCH.
3. FOR DRAIN KIT WIRING INSTRUCTIONS SEE MANUAL SUPPLIED IN KIT OR VISIT OUR WEB SITE www.braemar.com.au

ALL FIELD WIRING IS SHOWN AS -----



Drain Valve connections are as follows;
Brown* wire from pump to terminal **3**
Brown wire to terminal **5**
Blue wire to terminal **4**
White wire to terminal **2**
Orange wire to terminal **3**

It is the policy of Seeley International to introduce continual product improvement. Accordingly, specifications are subject to change without notice. Please consult with your dealer to confirm the specifications of the model selected.