

CPD 1 – SPECIFICATIONS

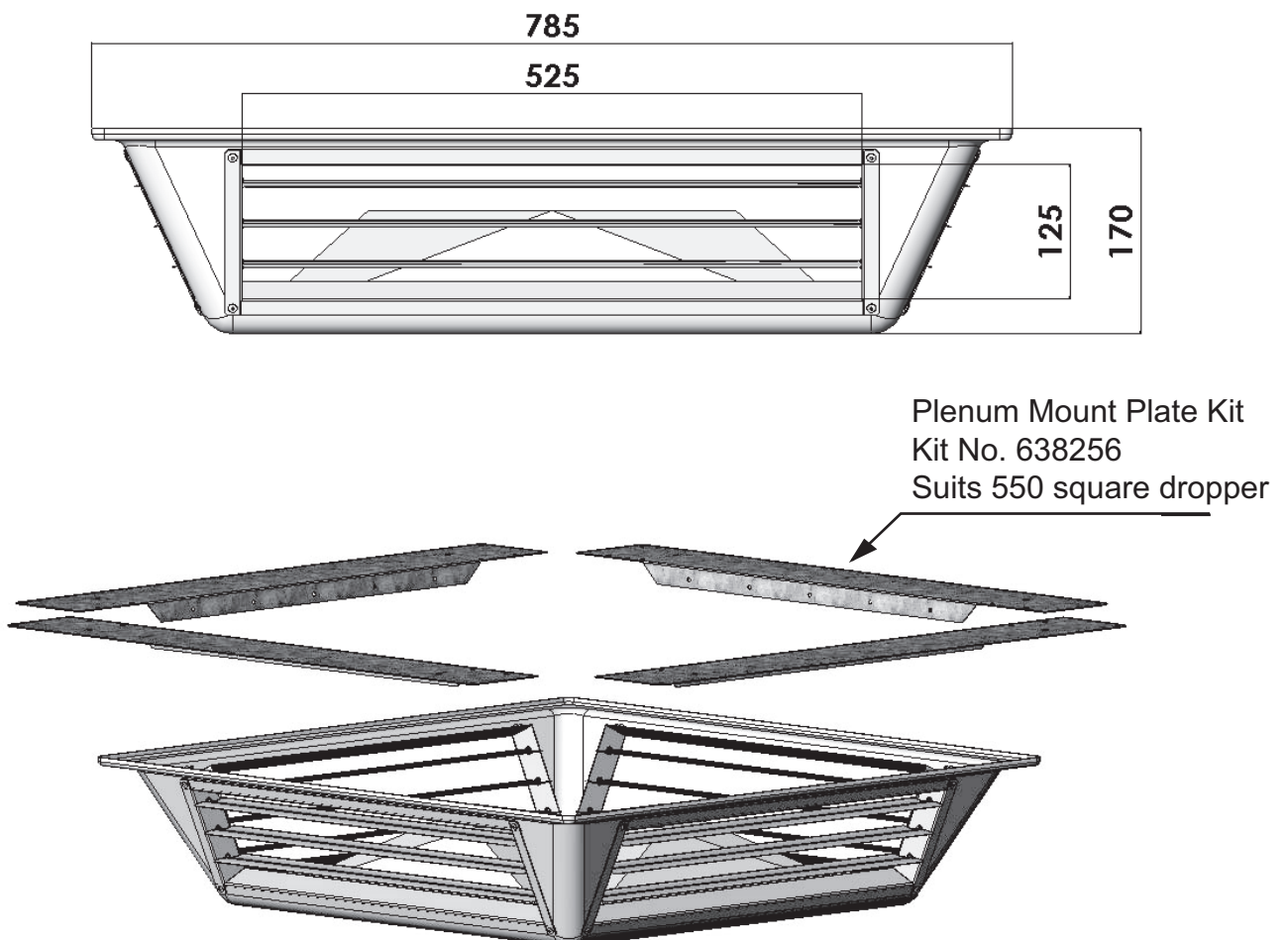
General

The Plenum is Vacuum Formed from High Strength, Low Weight ABS Plastic, incorporating Four Diffuser Outlets with adjustable Aluminium Airfoil Blades.

Performance Characteristics CPD 1

Num. Outlets	Free Area M ²	Velocity M / Sec	Volume L / Sec	Pressure Pa	Throw Metre
4	0.28	5.0	1400	35	5
		6.5	1820	50	6
		7.5	2100	75	7

Dimensions



It is the policy of Seeley International to introduce continual product improvement. Accordingly, specifications are subject to change without notice. Please consult with your dealer to confirm the specifications of the model selected.

CPD 2 – SPECIFICATIONS

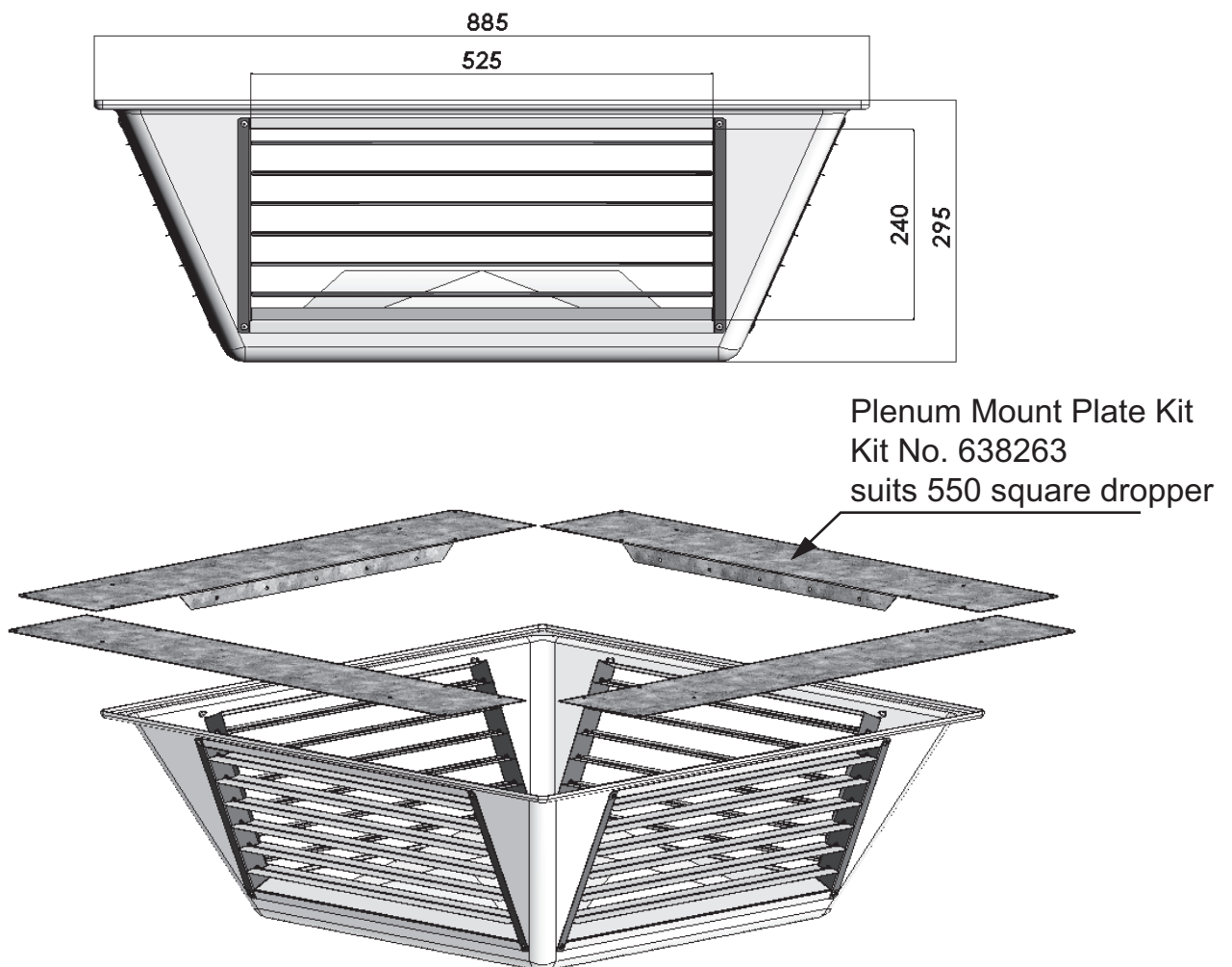
General

The Plenum is Vacuum Formed from High Strength, Low Weight ABS Plastic, incorporating Four Diffuser Outlets with adjustable Aluminium Airfoil Blades.

Performance Characteristics CPD 2

Num. Outlets	Free Area M ²	Velocity M / Sec	Volume L / Sec	Pressure Pa	Throw Metre
4	0.52	5.0	2600	35	5
		6.5	3380	50	6
		7.5	3900	75	7

Dimensions



It is the policy of Seeley International to introduce continual product improvement. Accordingly, specifications are subject to change without notice. Please consult with your dealer to confirm the specifications of the model selected.

CPD 3 – SPECIFICATIONS

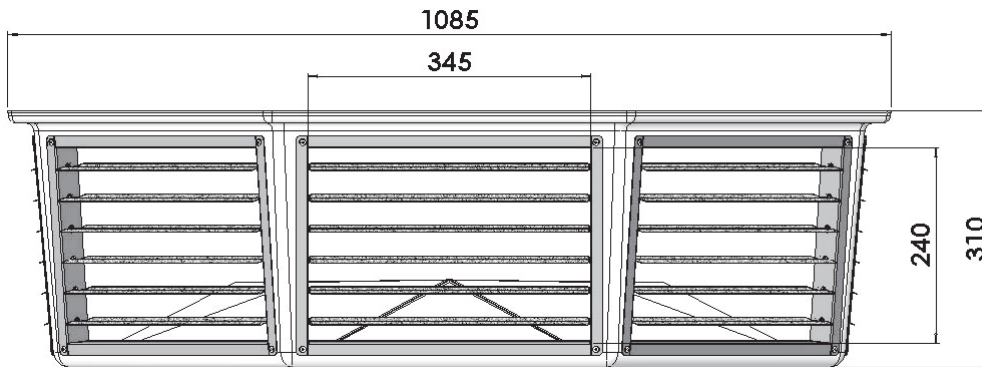
General

The Plenum is Vacuum Formed from High Strength, Low Weight ABS Plastic, incorporating Four Diffuser Outlets with adjustable Aluminium Airfoil Blades.

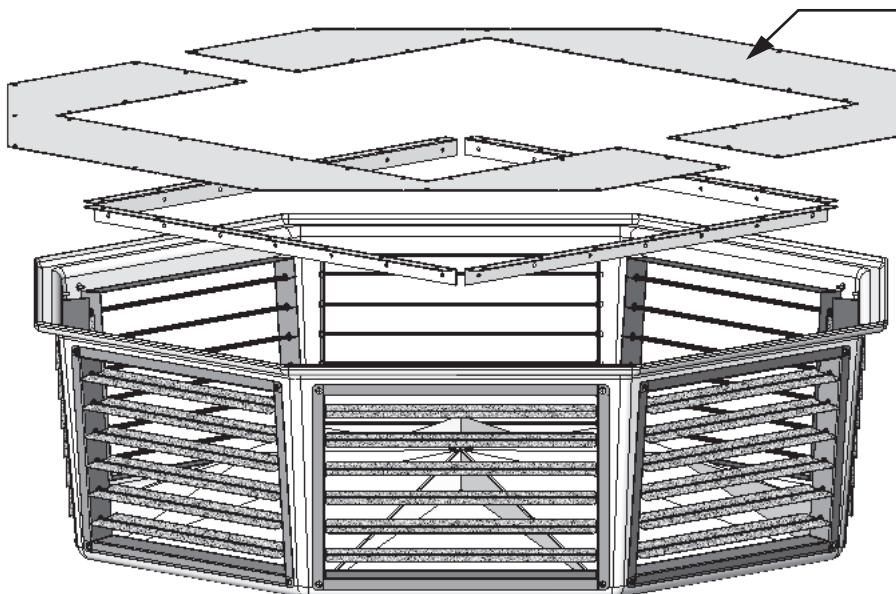
Performance Characteristics CPD 3

Num. Outlets	Free Area M ²	Velocity M / Sec	Volume L / Sec	Pressure Pa	Throw Metre
8	0.66	5.0	3300	35	5
		6.5	4290	50	6
		7.5	4950	75	7

Dimensions



Plenum Mount Plate Kit
Kit No. 238270
Suits 660 square dropper



It is the policy of Seeley International to introduce continual product improvement. Accordingly, specifications are subject to change without notice. Please consult with your dealer to confirm the specifications of the model selected.