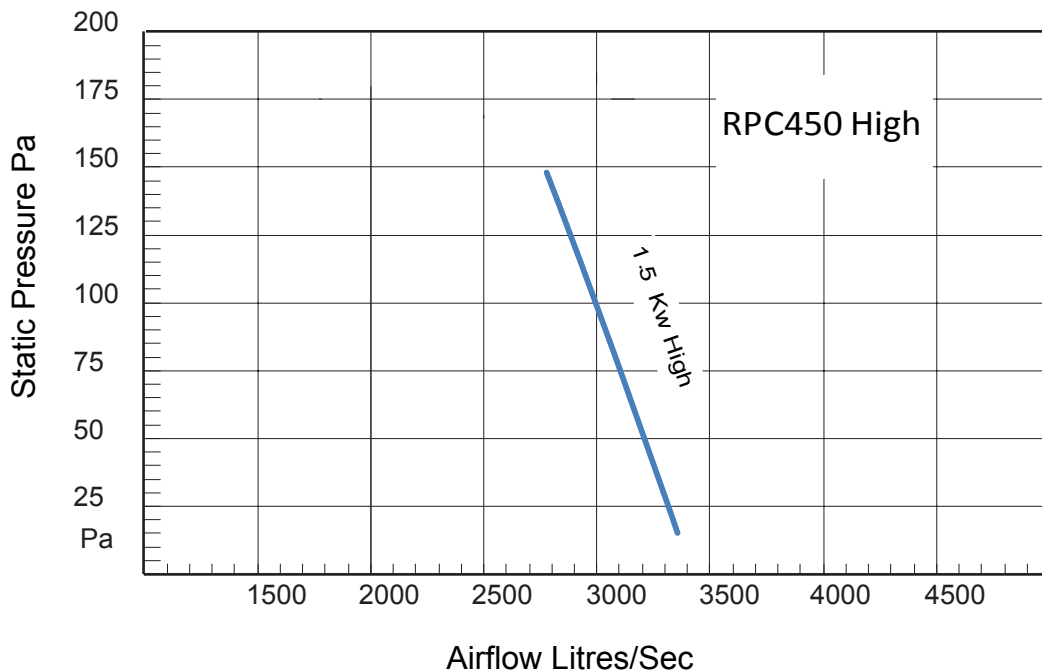


RPC450 Technical Detail

CAPACITY		BLOWER WHEEL		FILTER PADS	
Discharge Type:	D only	Dia x Width mm	470 x 380	Size D only mm	1015 x 860 (4)
Variable Speed Range L/s	3400/1450	Shaft mm	22 sq SS	Size S&T mm	n/a
High/Low Speeds L/s	3400/2265	Pulley mm	205 x A	Area D m ²	3.50
		Speed RPM	685 : 400	Velocity m/s	1.0
		Outlet mm	390 x 505	Material	Chilcel / Aspen
SHIPPING		PUMP		MOTOR	
Height mm	1120	Rating Watt	50	Type:	PSC
Height mm	S&T n/a			Speed RPM	1450
Length mm	1150	RESERVIOR		Rating kW	1.5
Width mm	1150	Capacity Litres	48	Current AMP	7.2
Volume m ³	1.48	Drain Size : Thread	48 : 40	Supply	240V 50 Hz
Mass kg	74			Pulley	89-100 x 15.75 x A
Net Unit kg	68				
Operating kg	122				

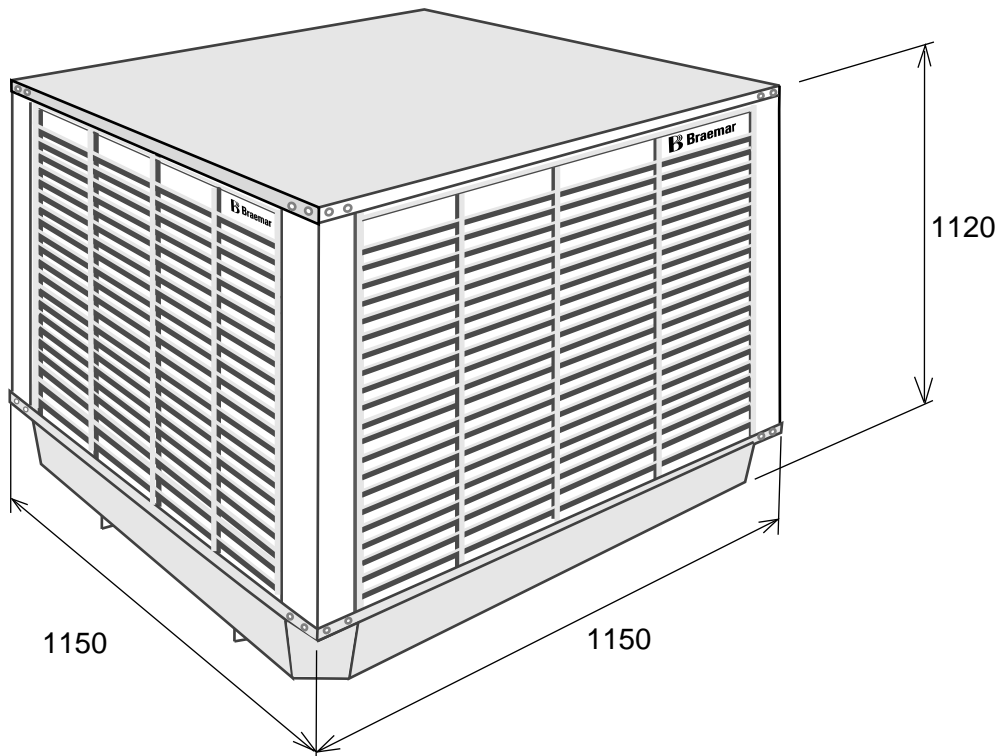
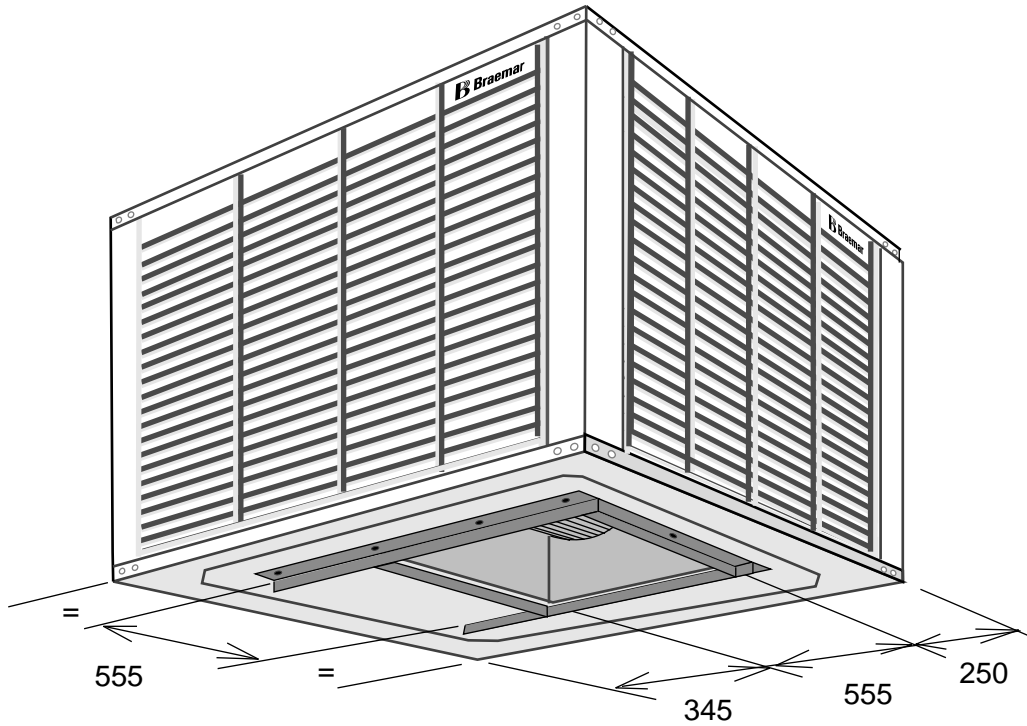
RPC450 Fan Curve



Note: Fan curve shown is at constant rated current - free discharge .

RPC450 Cabinet Details

DOWN DISCHARGE



It is the policy of Seeley International to introduce continual product improvement. Accordingly, specifications are subject to change without notice. Please consult with your dealer to confirm the specifications of the model selected.

PRODUCT IMPROVEMENT 

SAFETY ALERT 

QUALITY ALERT 

RPB, RPA and RPC Commercial Two Speed Coolers

Due to pending changes in some state safety regulations, as well as energy management becoming increasingly important to all Australian business Braemar Commercial 2 speed wall switches will now come standard with 2 Green Neon Indicators.

The individual neon's on the wall switch will illuminate to indicate when either the pump (cool) or the fan motor (fan) has been switched on. This will allow office and factory personnel to identify at a glance if the Coolers fan or pump are running.

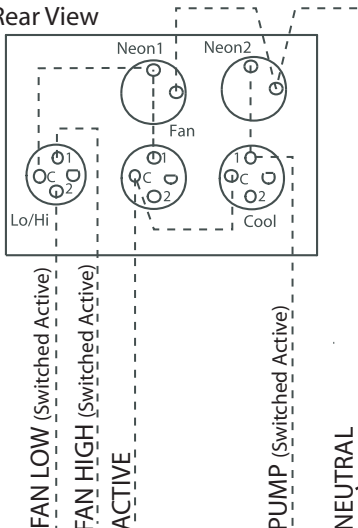
All coolers manufactured from Serial Number C0902xxxx will have the new wall switch included.



Part Number
633305

WALL SWITCH

Rear View



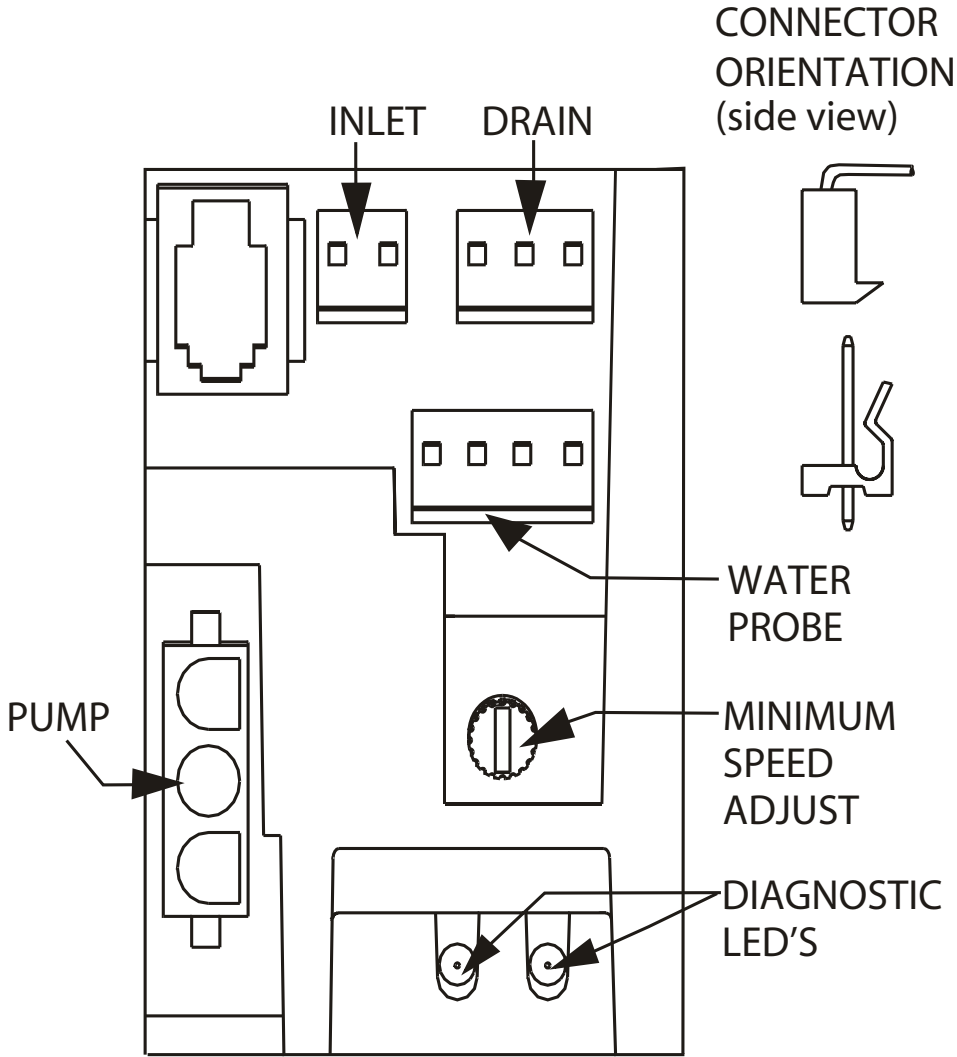
Required wiring from the cooler control box to the wall switch.

- Active x 1
- Switched Active x 3
- Neutral x 1

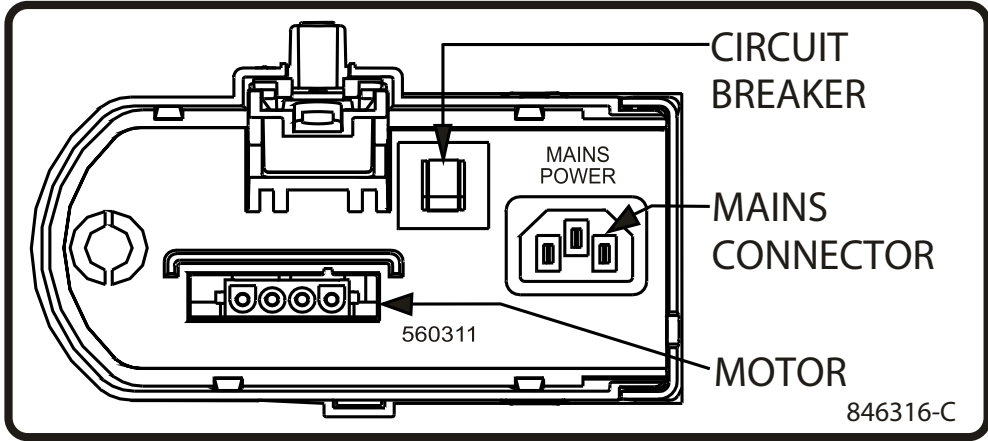
New Wire Required

RPC Variable Speed Component Connections

WARNING: FAN MOTOR HAS AUTOMATIC RESET PROTECTION AND MAY RESTART WITHOUT WARNING. NO SERVICEABLE PARTS INSIDE - OPENING BOX WILL VOID WARRANTY. REMOVAL OF SPLASH COVER WILL VOID WARRANTY.



NOTE: SPLASH COVER NOT SHOWN FOR CLARITY.



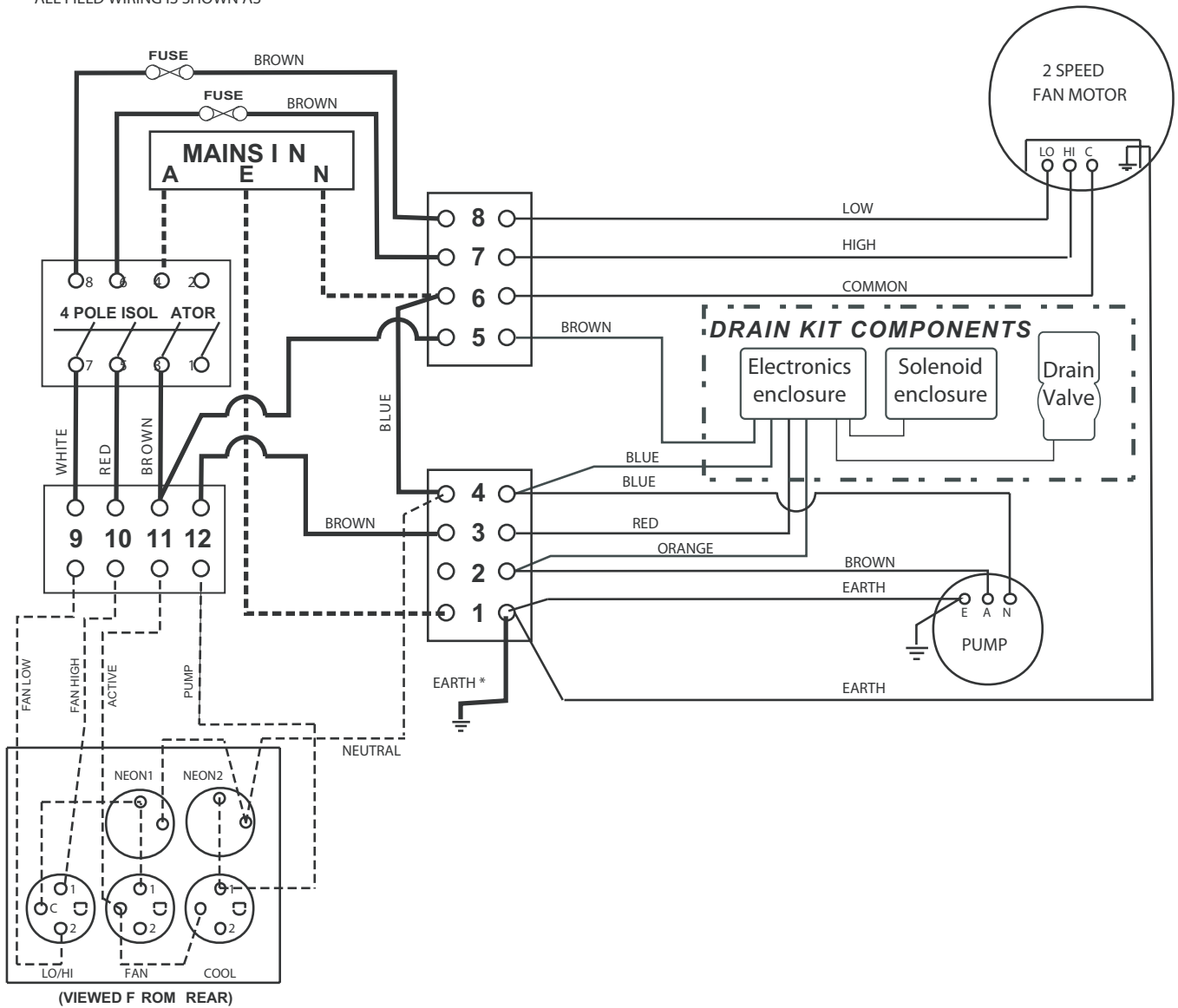
It is the policy of Seeley International to introduce continual product improvement. Accordingly, specifications are subject to change without notice. Please consult with your dealer to confirm the specifications of the model selected.

**THESE WIRING INSTRUCTIONS FOR UNITS MADE FROM MARCH 2009
AFTER THE INTRODUCTION OF NEON INDICATORS**

WIRING INSTRUCTIONS FOR DRAIN VALVE INSTALLATION.

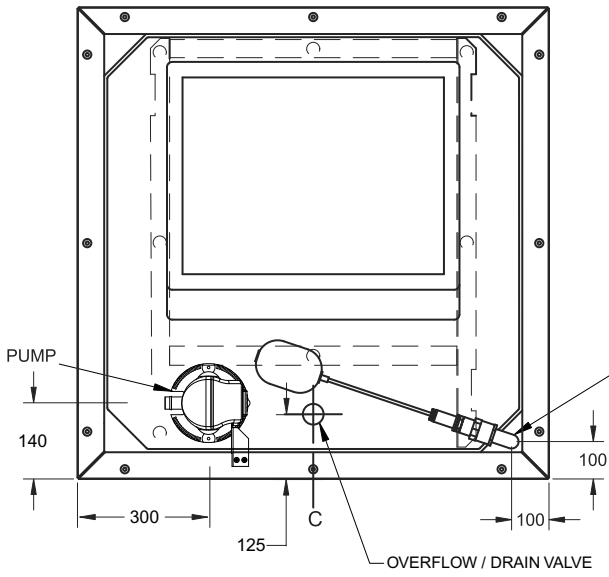
1. Remove the **BROWN** wire from the terminal 2 and refit into terminal 3.
2. Connect the **BROWN** wire from the Electronics enclosure to terminal point 5
3. Connect the **BLUE** wire from Electronics enclosure to terminal point 4
4. Connect the **RED** wire from the Electronics enclosure to terminal point 3.
5. Connect the **ORANGE** wire to terminal point 2

ALL FIELD WIRING IS SHOWN AS -----



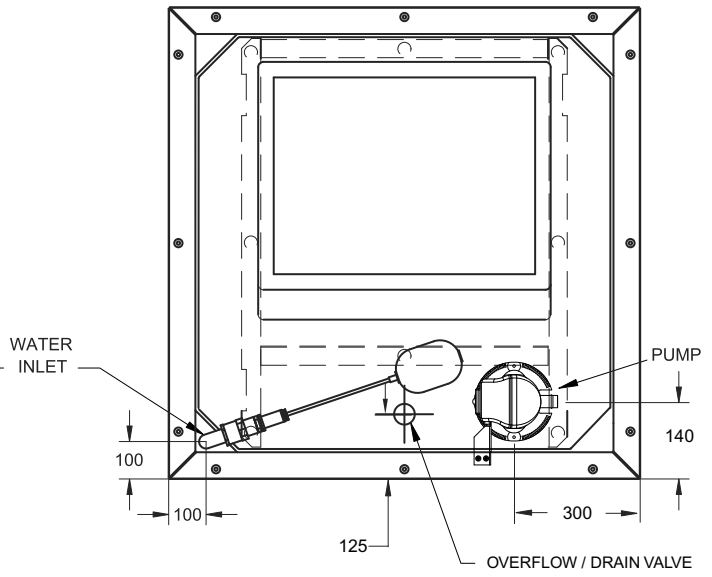
It is the policy of Seeley International to introduce continual product improvement. Accordingly, specifications are subject to change without notice. Please consult with your dealer to confirm the specifications of the model selected.

RPC250-450 Services & Mounting Details

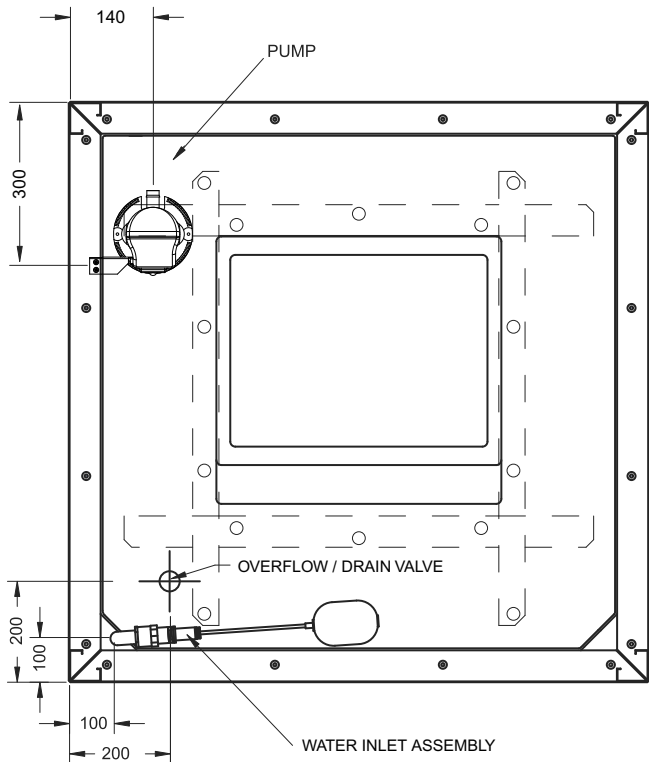


PLAN VIEW
MODELS D & S

RPC250 Layout

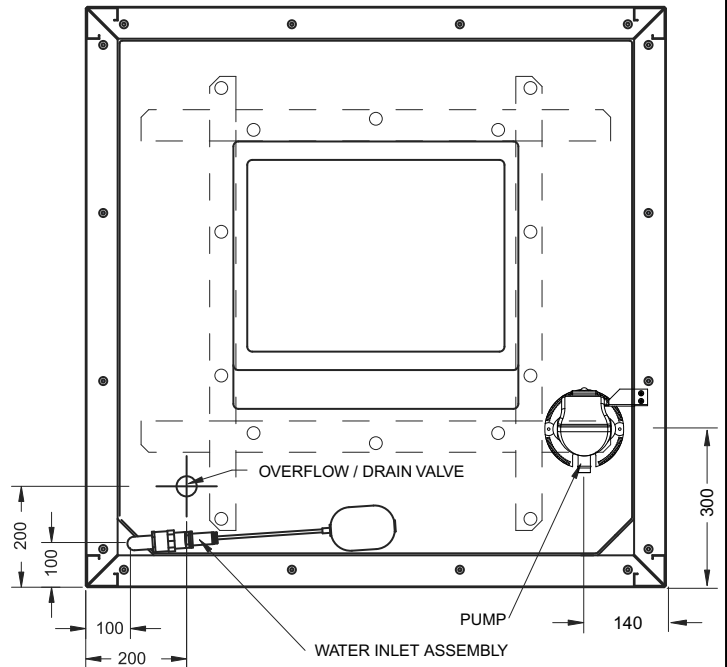


PLAN VIEW
MODEL 'T' ONLY



PLAN VIEW
MODEL 'D' ONLY

RPC320 - 450 Layout



PLAN VIEW
MODELS S & T

It is the policy of Seeley International to introduce continual product improvement. Accordingly, specifications are subject to change without notice. Please consult with your dealer to confirm the specifications of the model selected.