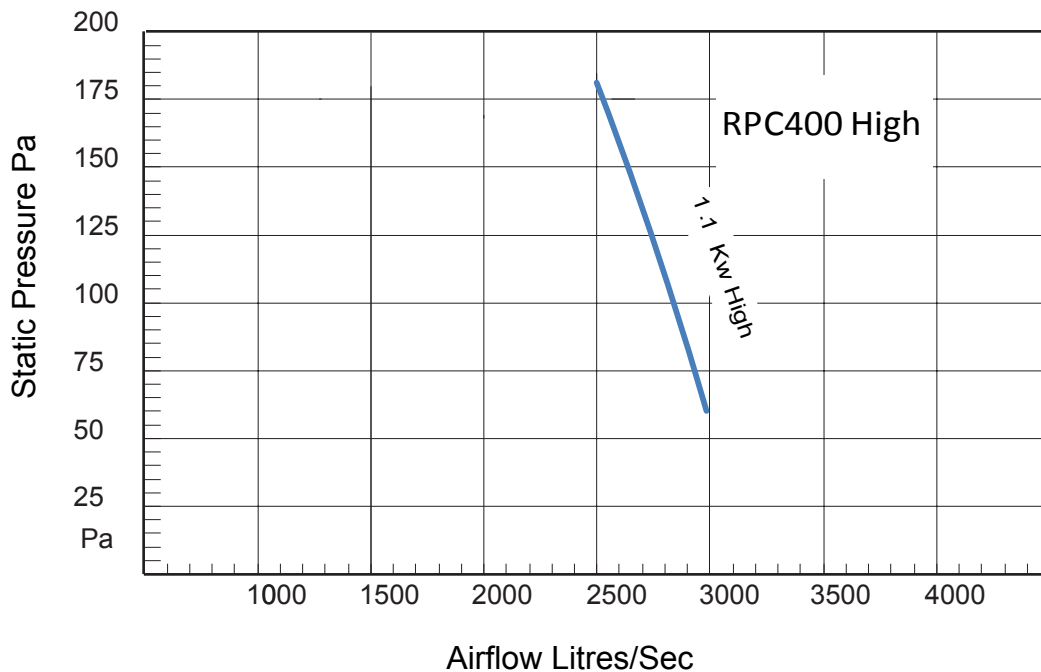


RPC400 Technical Detail

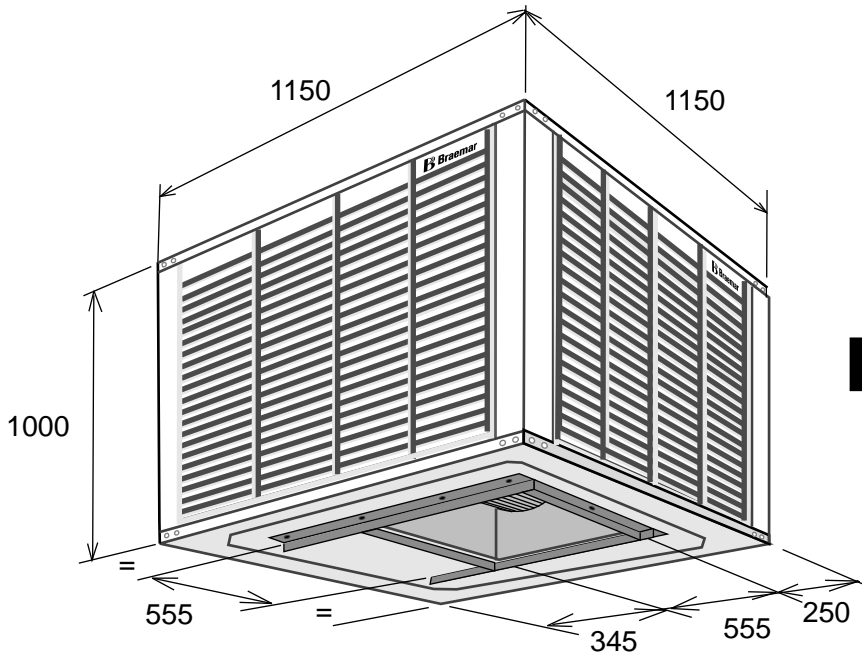
CAPACITY		BLOWER WHEEL		FILTER PADS	
Discharge Type:	D,S, T	Dia x Width mm	470 x380	Size D&T mm	1015 x 725 (4)
Variable Speed Range L/s	3050/1310	Shaft mm	22 sq SS	Size Side mm	1015 x 860 (3)
High/Low Speeds L/s	3050/2035	Pulley mm	205 x A	Area D&T / S m ²	2.94 / 2.61
SHIPPING		Speed RPM	650 : 390	Velocity m/s	1.03 / 1.16
Height mm	D&T:990	Outlet mm	390 x 505	Material	Chilcel / Aspen
Height mm	Side:1120	PUMP		MOTOR	
Length mm	1150	Rating Watt	40	Type:	PSC
Width mm	1150	RESERVIOR		Speed RPM	1450
Volume m3 DT/S	1.3/1.5	Capacity Litres	48	Rating kW	1.1
Mass kg	70	Drain Size : Thread	48 : 40	Current AMP	6.2
Net Unit kg	64			Supply	240V 50 Hz
Operating kg	118			Pulley	89-100 x 15.75 x A

RPC400 Fan Curve

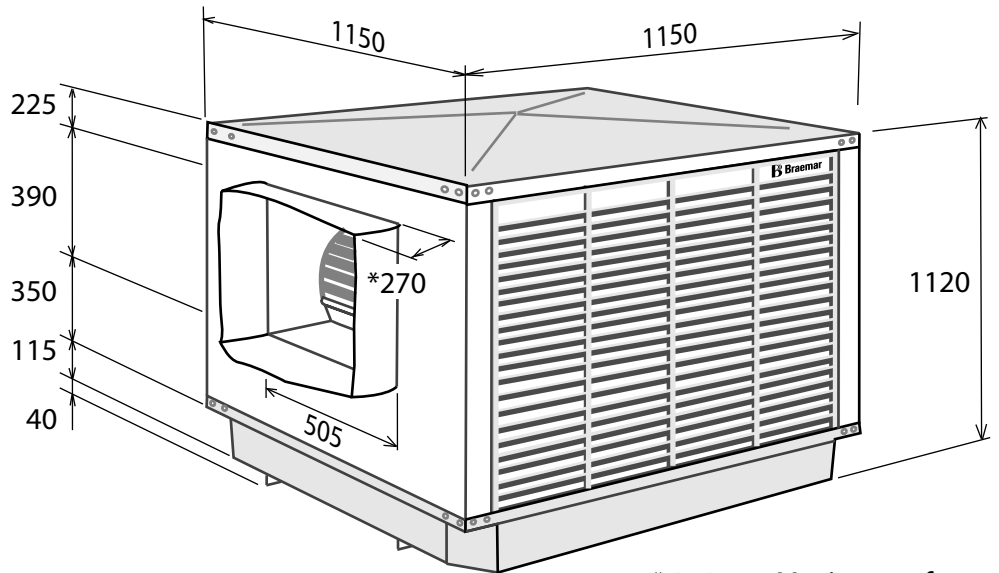


Note: Fan curve shown is at constant rated current - free discharge .

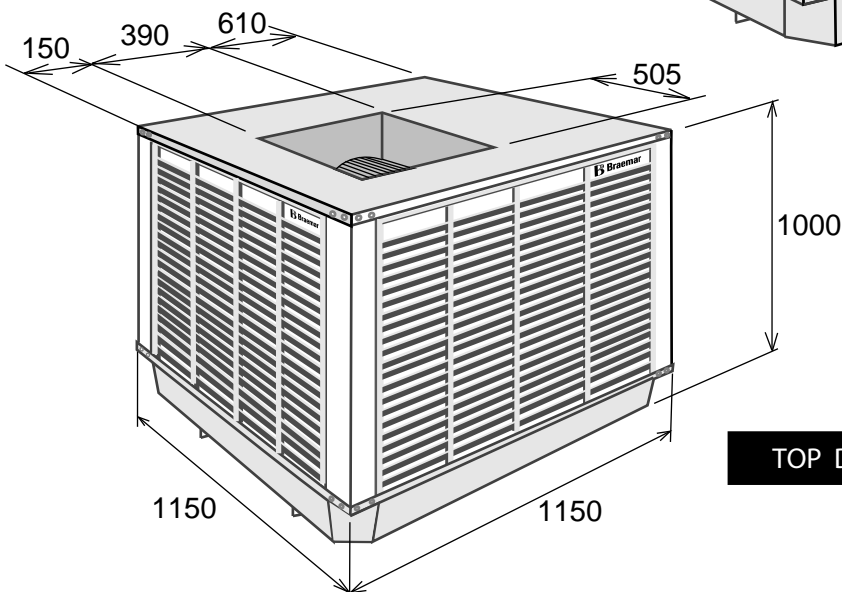
RPC400 Cabinet Details



DOWN DISCHARGE



SIDE DISCHARGE



TOP DISCHARGE

* 270mm Maximum after connector has been fitted. Connector shown on Side discharge for clarity. 270mm maximum applies to Top discharge units also. Refer to Installation section 6.4 for more details. Connector not required on Down discharge units.

It is the policy of Seeley International to introduce continual product improvement. Accordingly, specifications are subject to change without notice. Please consult with your dealer to confirm the specifications of the model selected.

Manufacturers and Designers of Technically Advanced Quality Heating and Cooling Products.....Oct 2005 issue 1

PRODUCT IMPROVEMENT 

SAFETY ALERT 

QUALITY ALERT 

RPB, RPA and RPC Commercial Two Speed Coolers

Due to pending changes in some state safety regulations, as well as energy management becoming increasingly important to all Australian business Braemar Commercial 2 speed wall switches will now come standard with 2 Green Neon Indicators.

The individual neon's on the wall switch will illuminate to indicate when either the pump (cool) or the fan motor (fan) has been switched on. This will allow office and factory personnel to identify at a glance if the Coolers fan or pump are running.

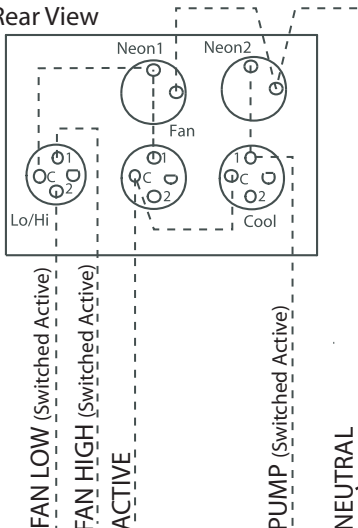
All coolers manufactured from Serial Number C0902xxxx will have the new wall switch included.



Part Number
633305

WALL SWITCH

Rear View



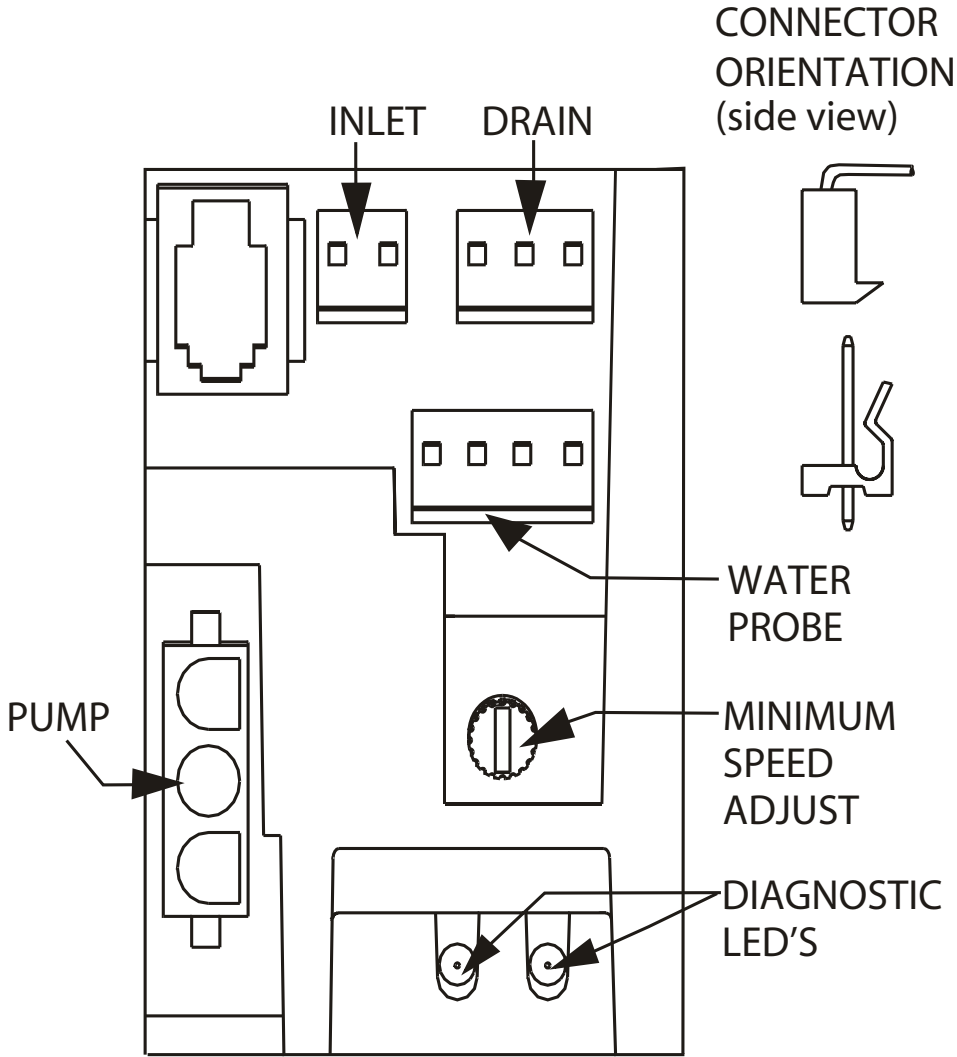
Required wiring from the cooler control box to the wall switch.

- Active x 1
- Switched Active x 3
- Neutral x 1

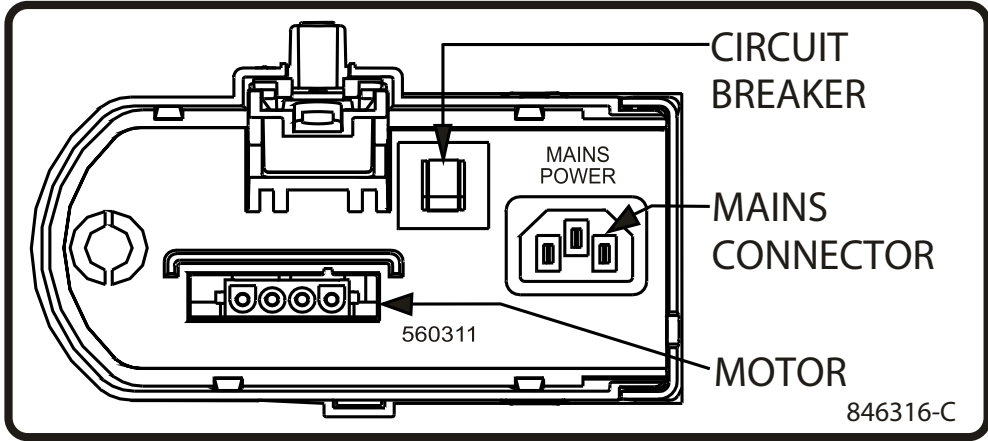
New Wire Required

RPC Variable Speed Component Connections

WARNING: FAN MOTOR HAS AUTOMATIC RESET PROTECTION AND MAY RESTART WITHOUT WARNING. NO SERVICEABLE PARTS INSIDE - OPENING BOX WILL VOID WARRANTY. REMOVAL OF SPLASH COVER WILL VOID WARRANTY.



NOTE: SPLASH COVER NOT SHOWN FOR CLARITY.



It is the policy of Seeley International to introduce continual product improvement. Accordingly, specifications are subject to change without notice. Please consult with your dealer to confirm the specifications of the model selected.

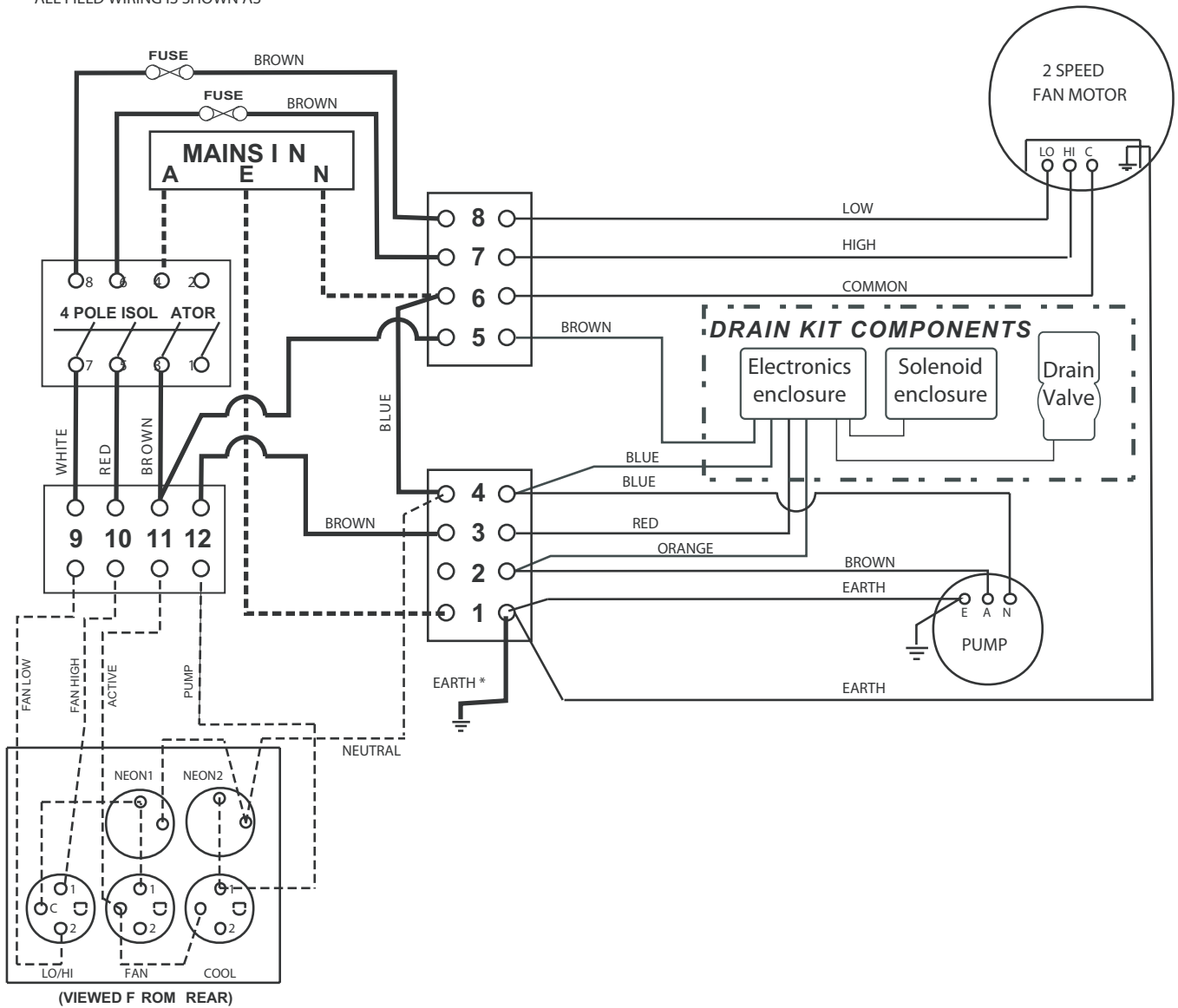
Commercial Wiring Diagram RPA-RPC 2 Speed 1 Phase

**THESE WIRING INSTRUCTIONS FOR UNITS MADE FROM MARCH 2009
AFTER THE INTRODUCTION OF NEON INDICATORS**

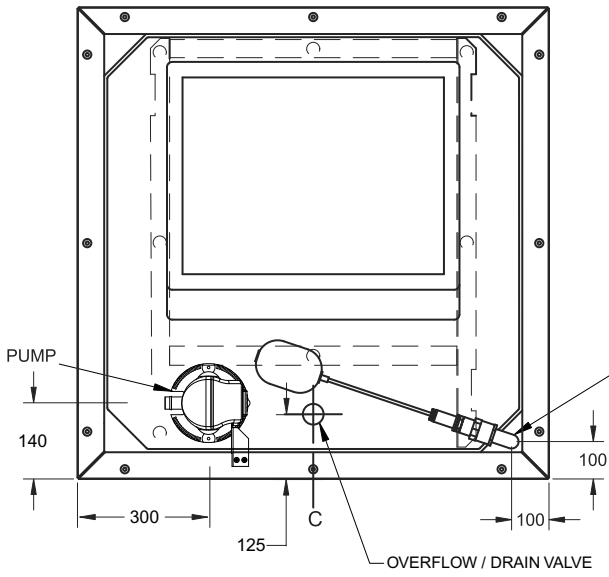
WIRING INSTRUCTIONS FOR DRAIN VALVE INSTALLATION.

1. Remove the **BROWN** wire from the terminal 2 and refit into terminal 3.
2. Connect the **BROWN** wire from the Electronics enclosure to terminal point 5
3. Connect the **BLUE** wire from Electronics enclosure to terminal point 4
4. Connect the **RED** wire from the Electronics enclosure to terminal point 3.
5. Connect the **ORANGE** wire to terminal point 2

ALL FIELD WIRING IS SHOWN AS -----

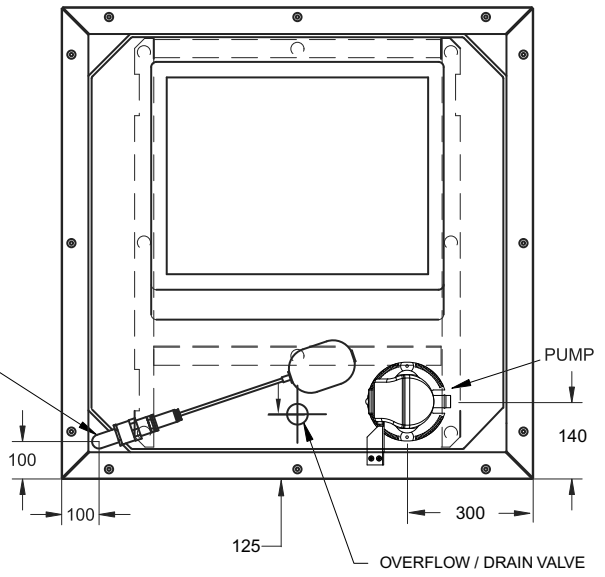


RPC250-450 Services & Mounting Details

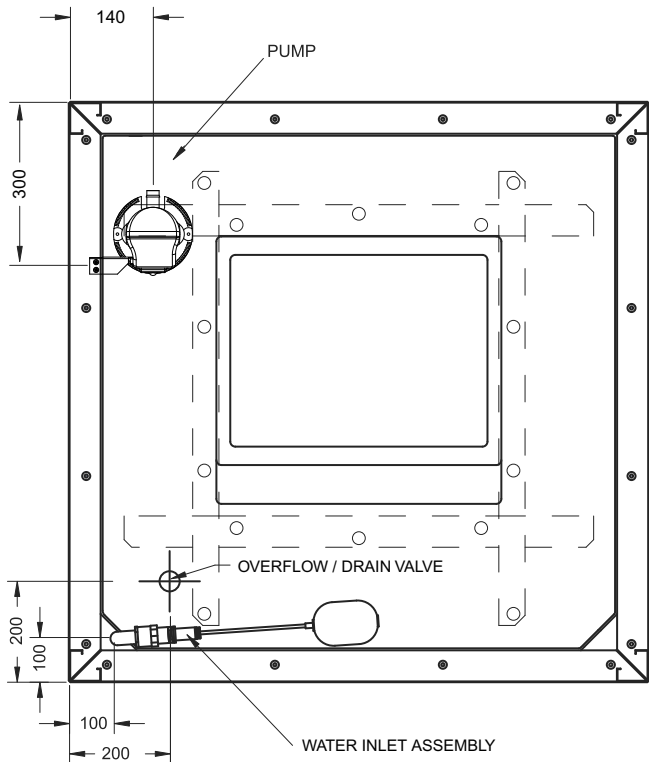


PLAN VIEW
MODELS D & S

RPC250 Layout

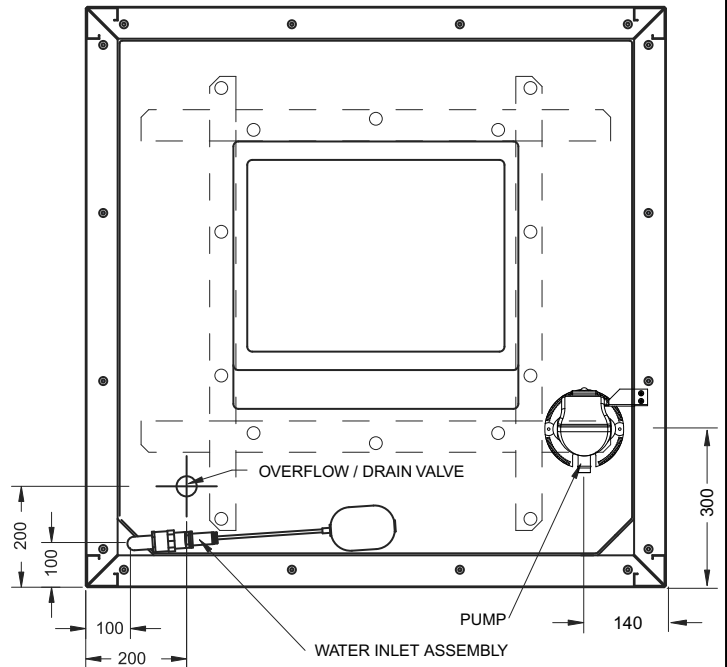


PLAN VIEW
MODEL 'T' ONLY



PLAN VIEW
MODEL 'D' ONLY

RPC320 - 450 Layout



PLAN VIEW
MODELS S & T

It is the policy of Seeley International to introduce continual product improvement. Accordingly, specifications are subject to change without notice. Please consult with your dealer to confirm the specifications of the model selected.