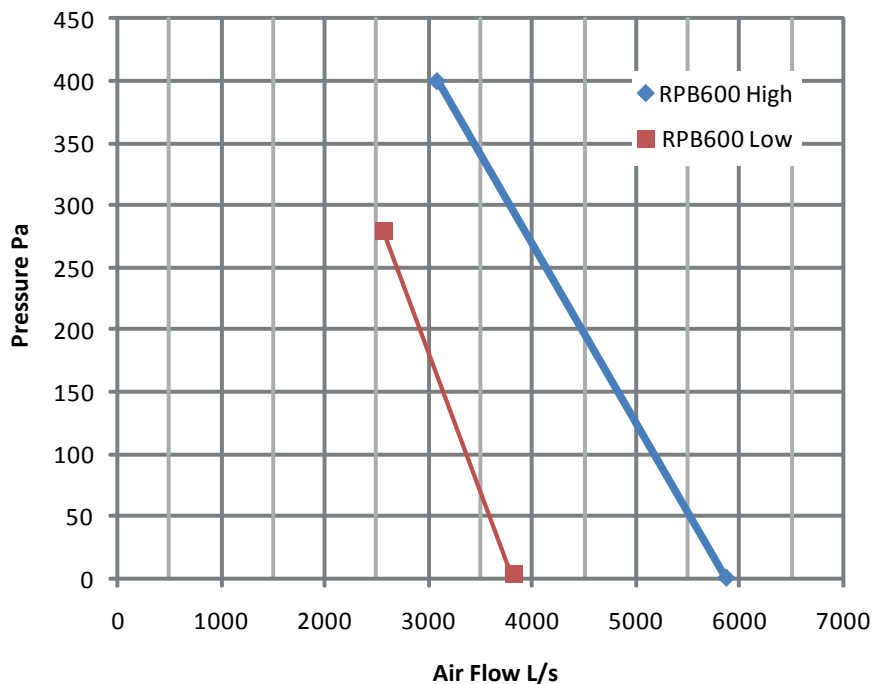


RPB600 Technical Detail

CAPACITY		BLOWER WHEEL		FILTER PADS	
Discharge Type:	D, S, T	Dia x Width mm	760 x 635	Size mm	595 x 580 (12)
High L/s	5860	Shaft mm	31.75	Area m ²	4.14
Low L/s	3900	Pulley mm	455 x 2A	Velocity m/s	1.48
		Speed RPM	285 : 190	Material	Chilcel
		Outlet mm	775 x 755		
SHIPPING		PUMP		MOTOR	
Height mm	1630	Rating Watt	50	Type:	2 Speed 3 ph.
Length mm	1560			Speed RPM	1440 : 960
Width mm	1560			Rating kW	2.5 : 1.1
Volume m ³	3.97			Current AMP	5.0 : 4.0
Mass kg	295	RESERVIOR		Supply	415V 50 Hz
Net Unit kg	265	Capacity Litres	55	Pulley	90 x 28 x 2A
Operating kg	330	Drain Size : Thread	48 : 40		

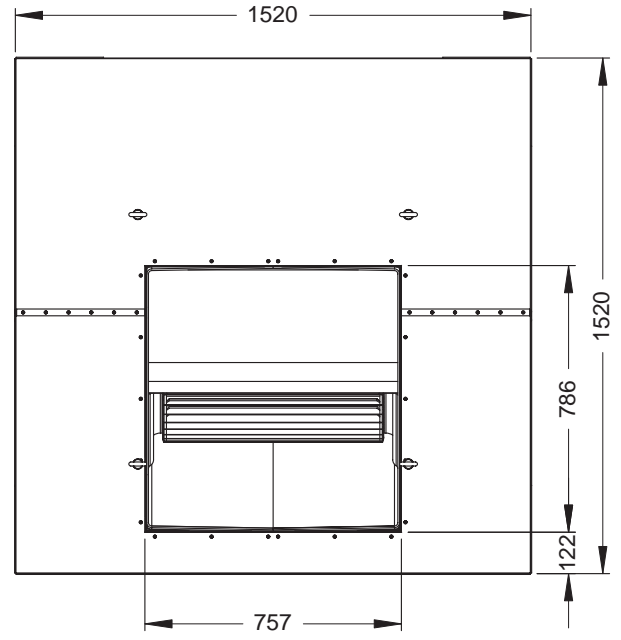
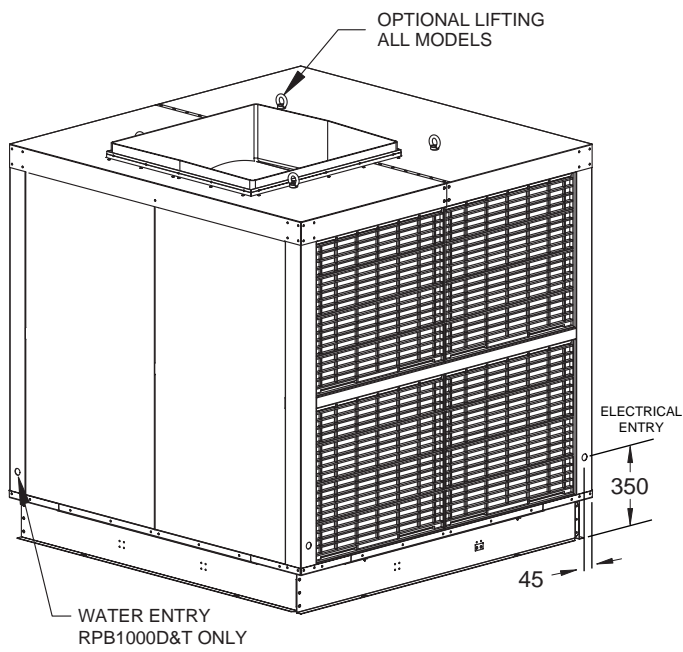
RPB600 Fan Curves



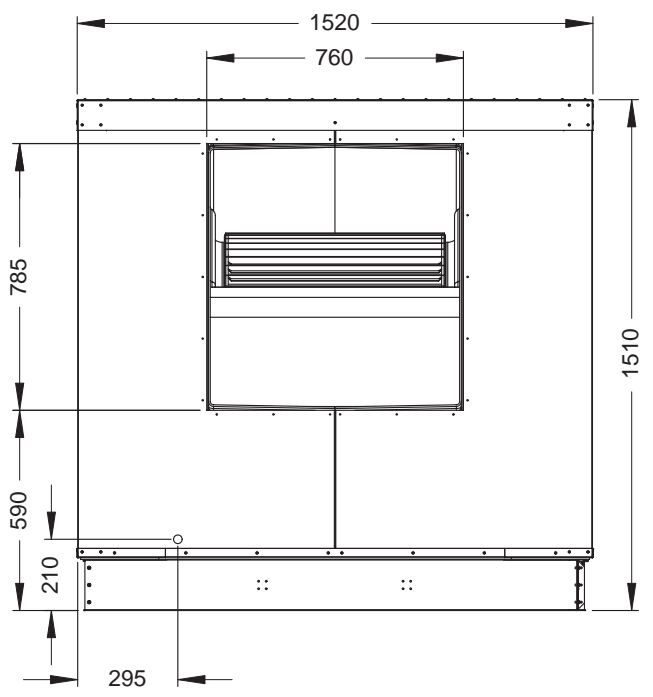
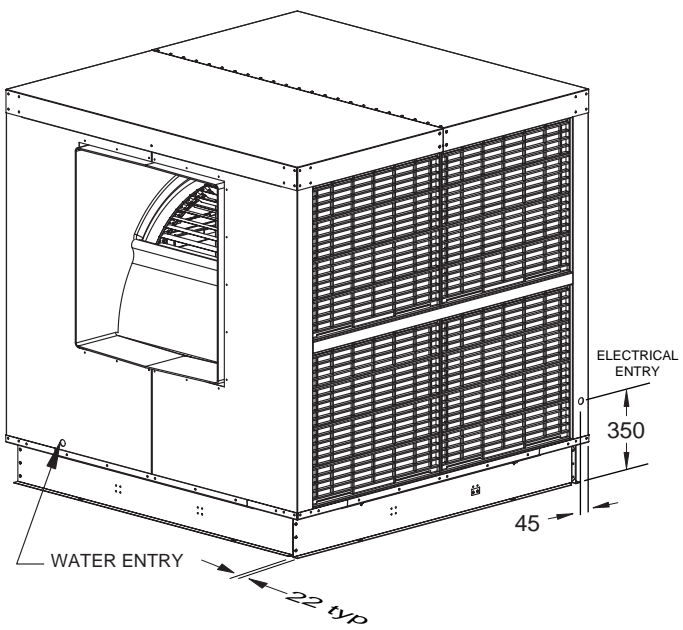
Note: Fan curves shown are at constant rated current - free discharge - fixed pulleys. Pulleys for specified pressure applications available on request

RPB600 - 1000 Cabinet Details

RPB600-900 Top discharge Shown
 RPB1000 Down & Top discharge
 have pads on all sides



RPB600 - 900 Side discharge Shown
 (Not available in RPB1000)



NOTE
 Down discharge units not shown as they
 are dimensionally the same as above. For
 outlet details refer to section 5.4

PRODUCT IMPROVEMENT 

SAFETY ALERT 

QUALITY ALERT 

RPB, RPA and RPC Commercial Two Speed Coolers

Due to pending changes in some state safety regulations, as well as energy management becoming increasingly important to all Australian business Braemar Commercial 2 speed wall switches will now come standard with 2 Green Neon Indicators.

The individual neon's on the wall switch will illuminate to indicate when either the pump (cool) or the fan motor (fan) has been switched on. This will allow office and factory personnel to identify at a glance if the Coolers fan or pump are running.

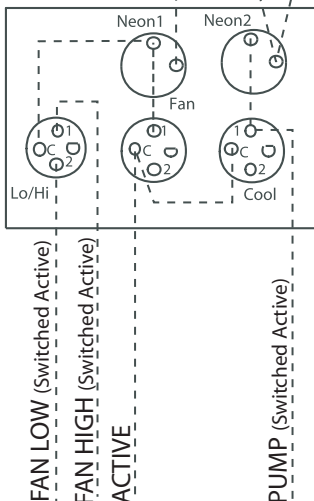
All coolers manufactured from Serial Number C0902xxxx will have the new wall switch included.



Part Number
633305

WALL SWITCH

Rear View



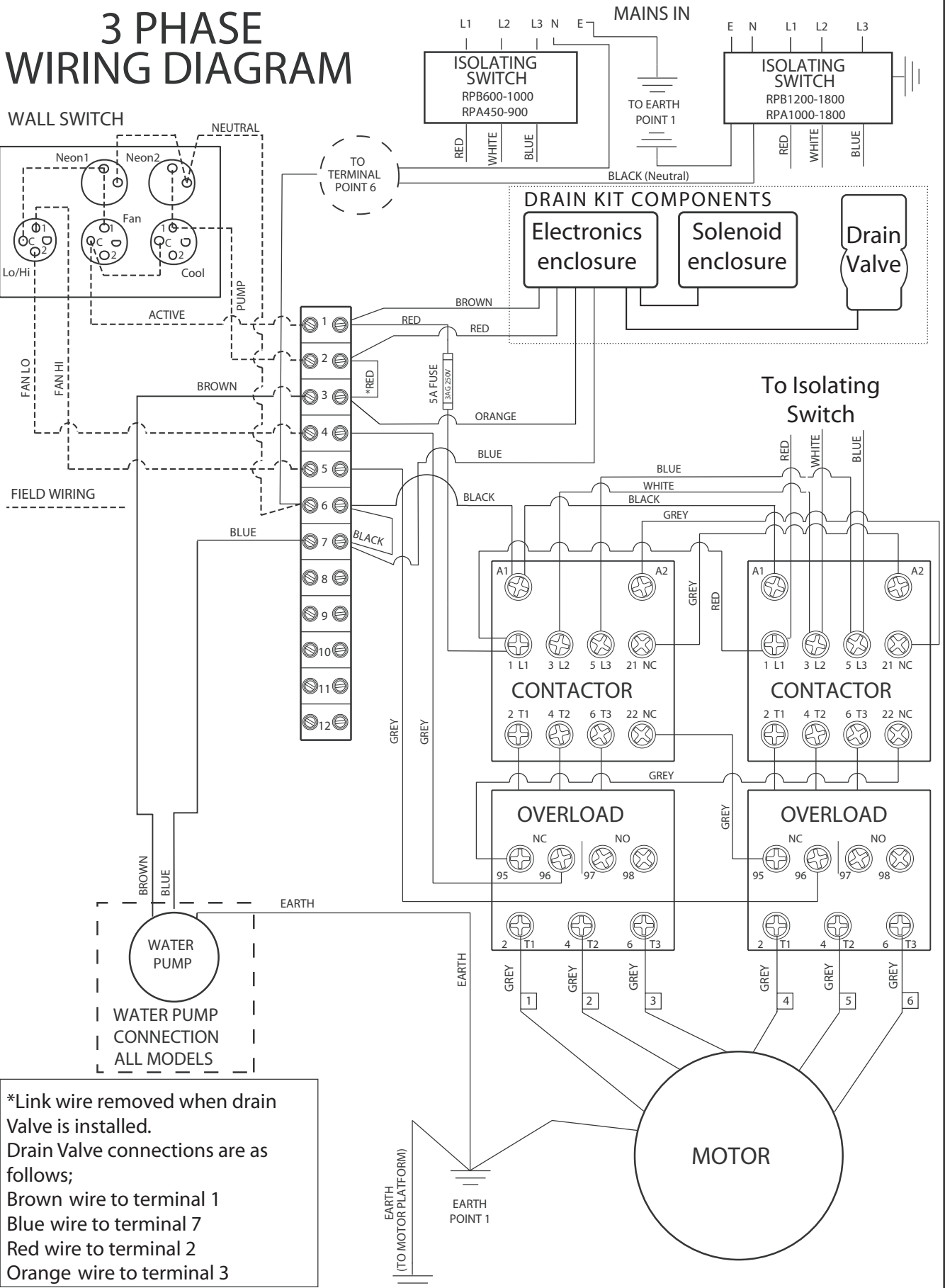
Required wiring from the cooler control box to the wall switch.

- Active x 1
- Switched Active x 3
- Neutral x 1

New Wire Required

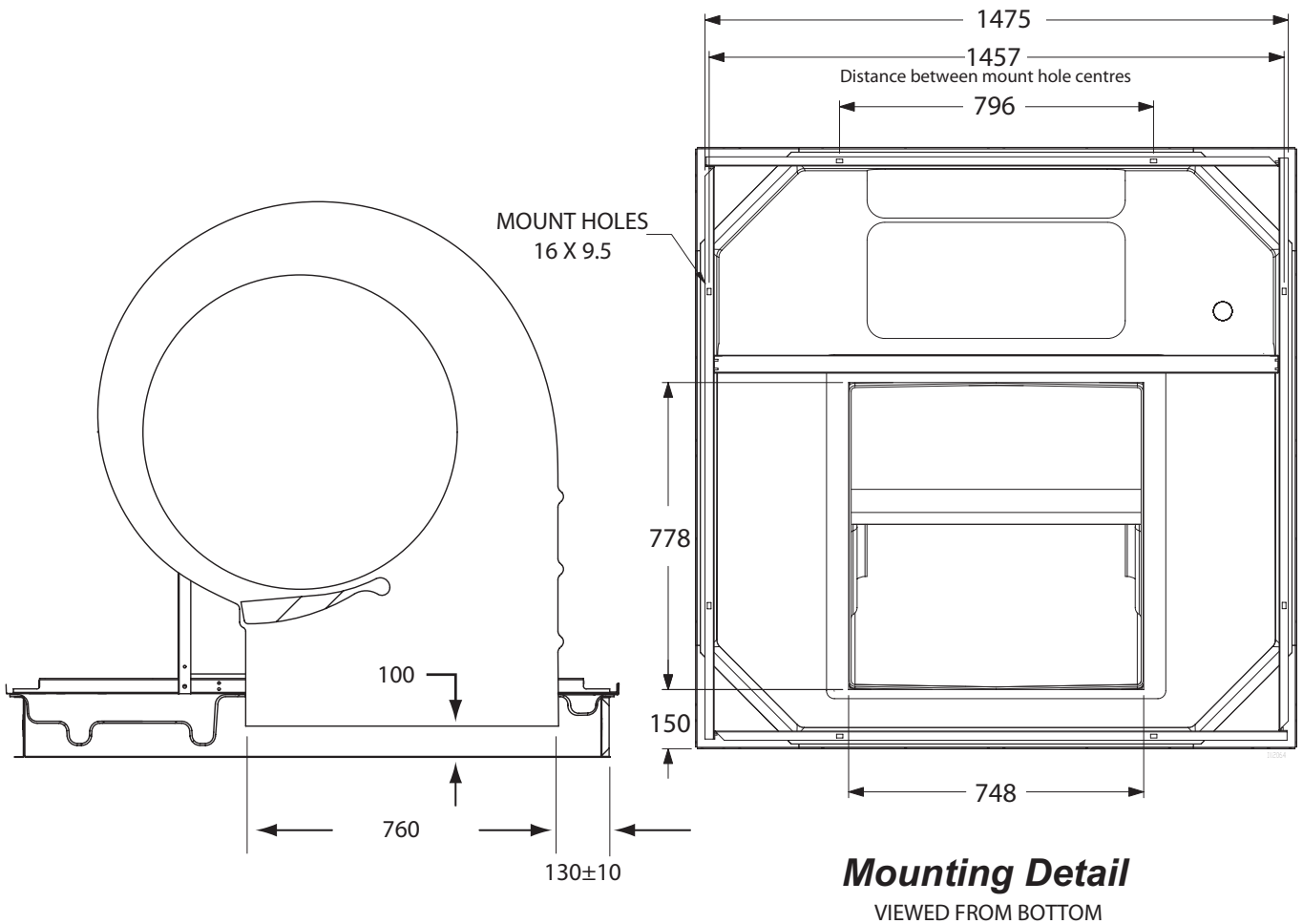
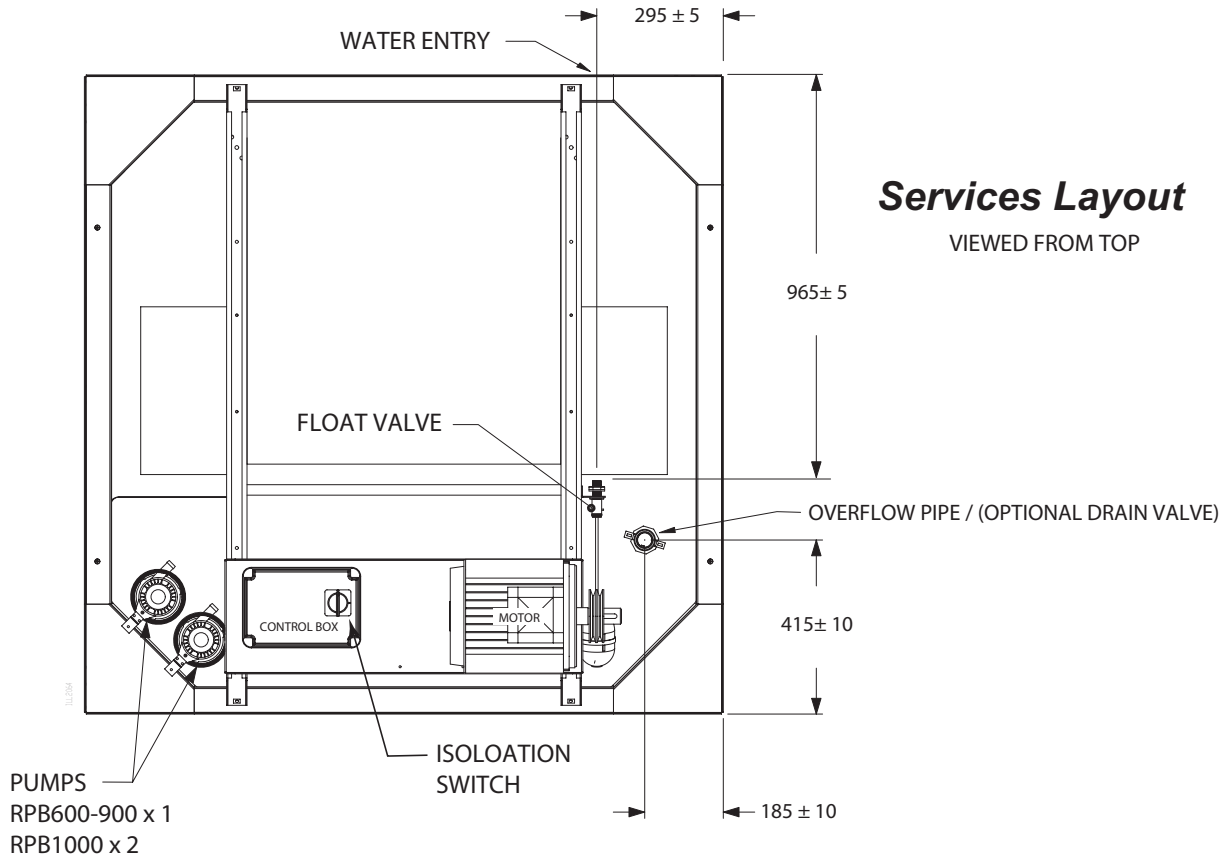
**THESE WIRING INSTRUCTIONS FOR UNITS MADE FROM MARCH 2009
AFTER THE INTRODUCTION OF NEON INDICATORS**

3 PHASE WIRING DIAGRAM



*Link wire removed when drain Valve is installed.
Drain Valve connections are as follows;
Brown wire to terminal 1
Blue wire to terminal 7
Red wire to terminal 2
Orange wire to terminal 3

RPB600 - 1000 Services & Mounting Details



It is the policy of Seeley International to introduce continual product improvement. Accordingly, specifications are subject to change without notice. Please consult with your dealer to confirm the specifications of the model selected.