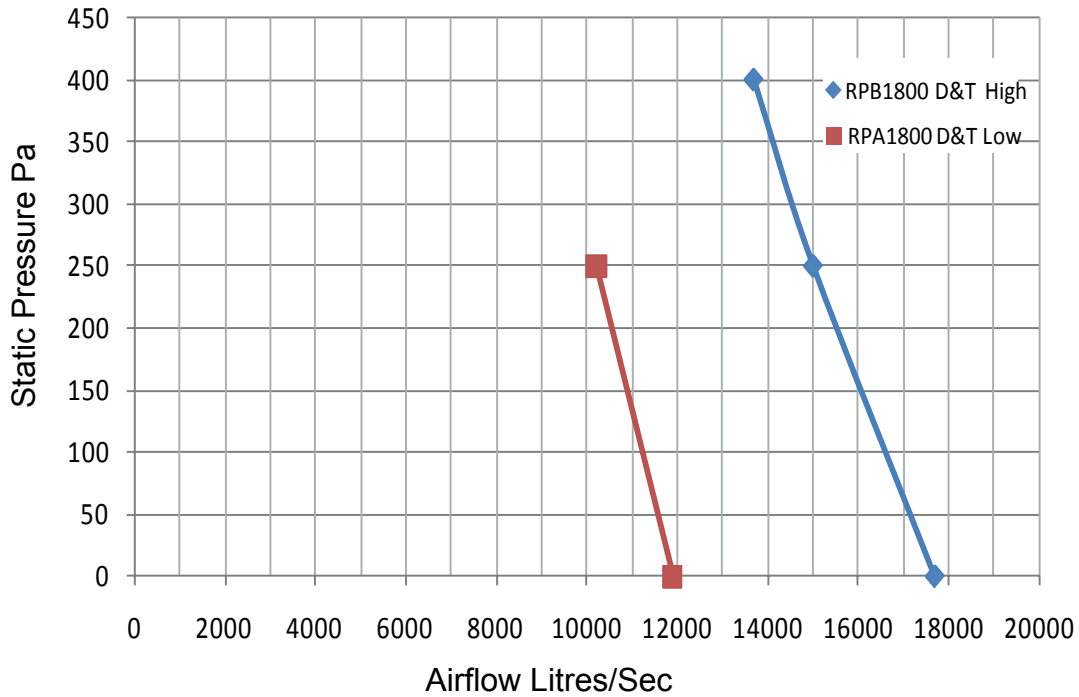


RPA1800 D&T Technical Detail

CAPACITY		BLOWER WHEEL		FILTER PADS	
Discharge Type:	D, T	Dia x Width mm	820 x 800	Size Top mm	795 x 580 (8)
High L/s	17690	Shaft mm	40.00	Size Bot mm	795 x 890 (8)
Low L/s	12052	Pulley mm	615 x 2B	Area m2	9.35
		Speed RPM	453 : 304	Velocity m/s	1.89
		Outlet mm	890 x 890	Material	Chilcel
SHIPPING		PUMP		MOTOR	
Height mm	2050	Rating Watt	50	Type:	2 Speed 3 ph.
Length mm	2100			Speed RPM	1465 : 985
Width mm	2100			Rating kW	15.0 : 6.7
Volume m3	9.04			Current AMP	26.0 : 14.4
Mass kg	513	RESERVIOR		Supply	415V 50 Hz
Net Unit kg	473	Capacity Litres	100	Pulley	190 x 42 x 2B
Operating kg	573	Drain Size : Thread	48 : 40		

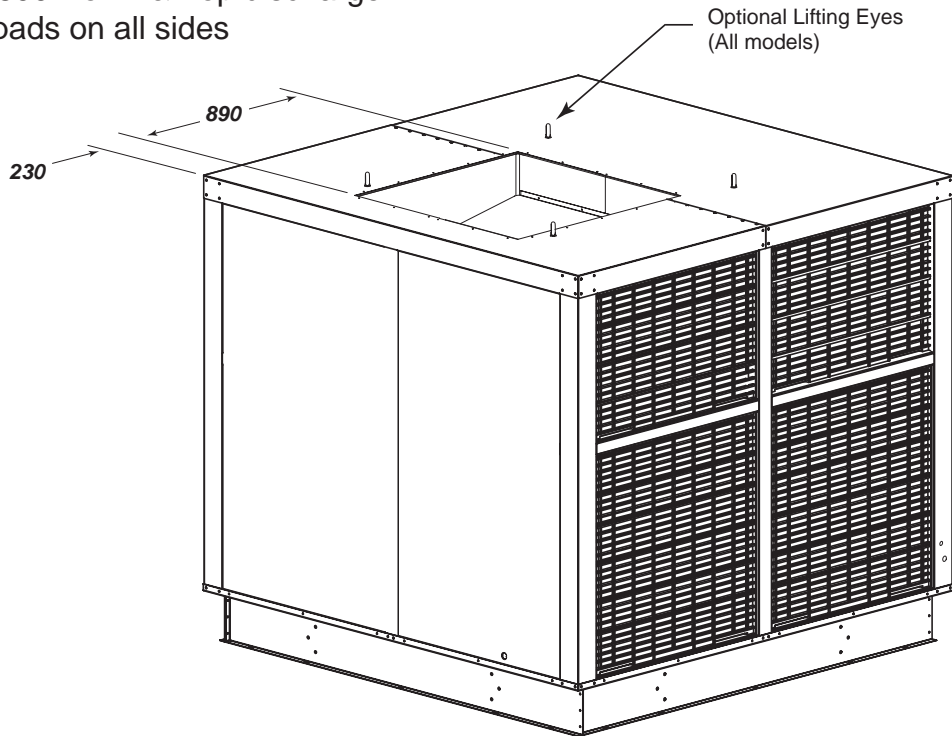
RPB1800 D&T Fan Curves



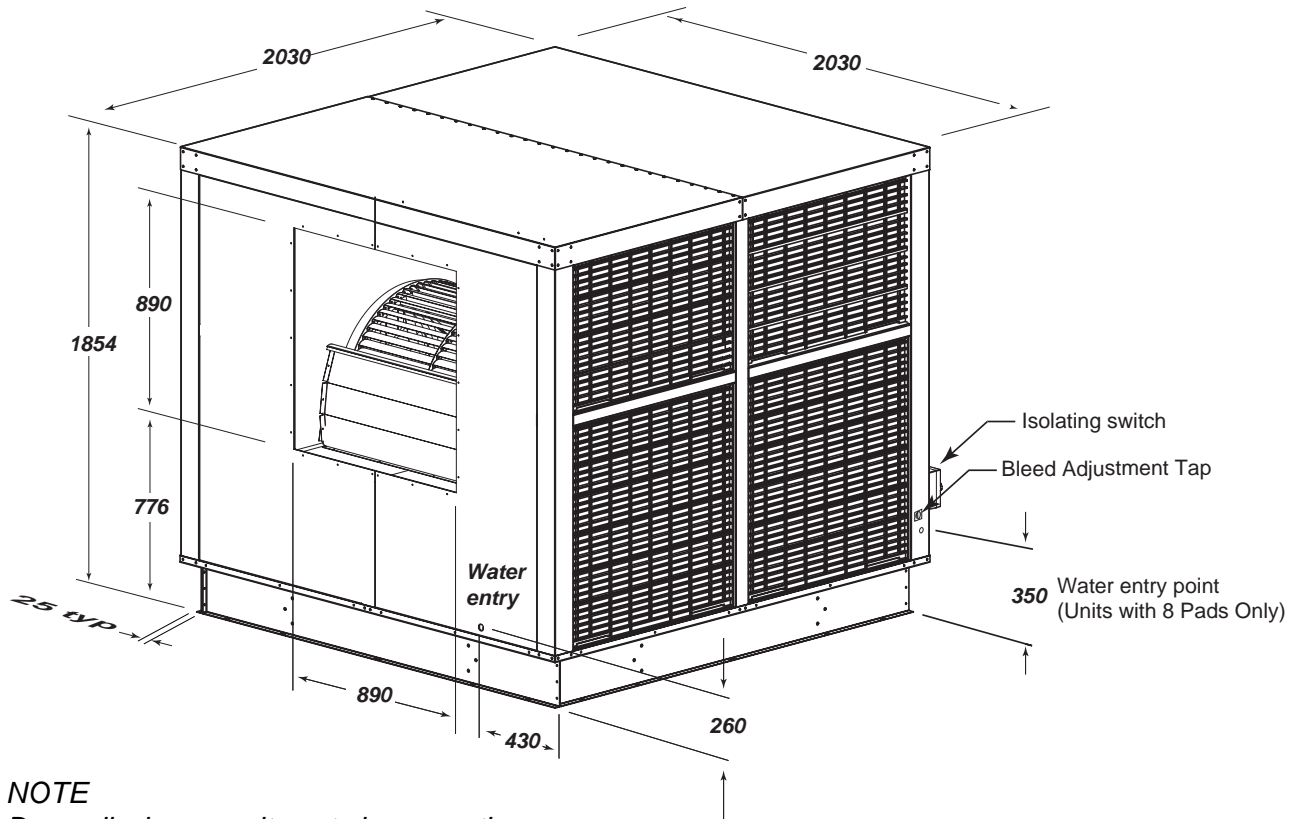
Note: Fan curves shown are at constant rated current - free discharge.

RPB1200 - 1800 Cabinet Details

RPB1200-1500 Top discharge Shown
 RPB1800 Down & Top discharge
 have pads on all sides



RPB1200 - 1800 Side discharge Shown



NOTE
 Down discharge units not shown as they
 are dimensionally the same as above. For
 outlet details refer to section 5.5

PRODUCT IMPROVEMENT 

SAFETY ALERT 

QUALITY ALERT 

RPB, RPA and RPC Commercial Two Speed Coolers

Due to pending changes in some state safety regulations, as well as energy management becoming increasingly important to all Australian business Braemar Commercial 2 speed wall switches will now come standard with 2 Green Neon Indicators.

The individual neon's on the wall switch will illuminate to indicate when either the pump (cool) or the fan motor (fan) has been switched on. This will allow office and factory personnel to identify at a glance if the Coolers fan or pump are running.

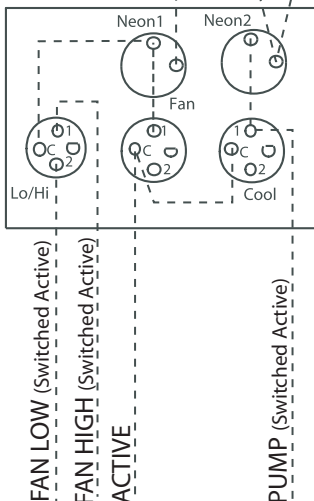
All coolers manufactured from Serial Number C0902xxxx will have the new wall switch included.



Part Number
633305

WALL SWITCH

Rear View



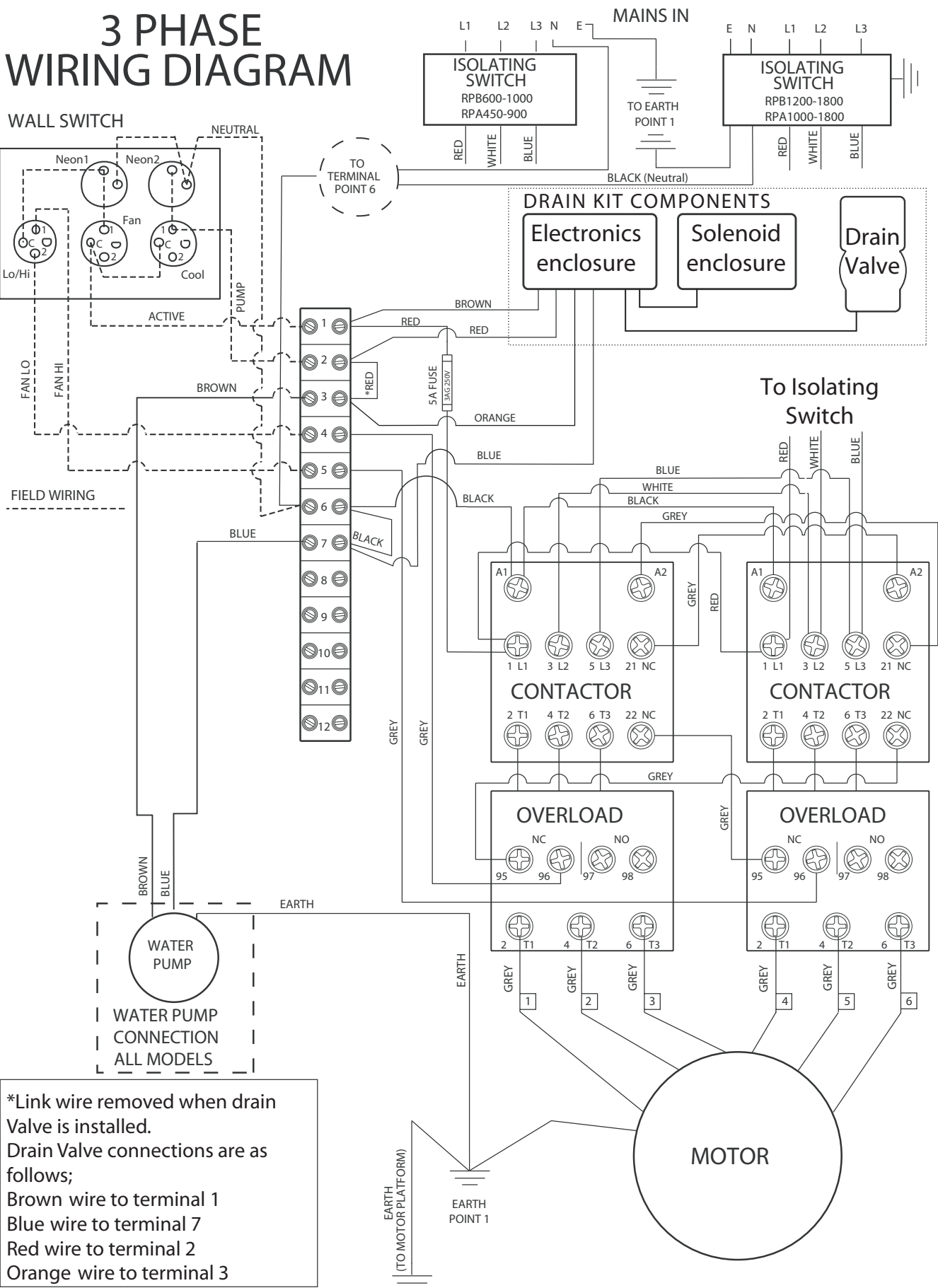
Required wiring from the cooler control box to the wall switch.

- Active x 1
- Switched Active x 3
- Neutral x 1

New Wire Required

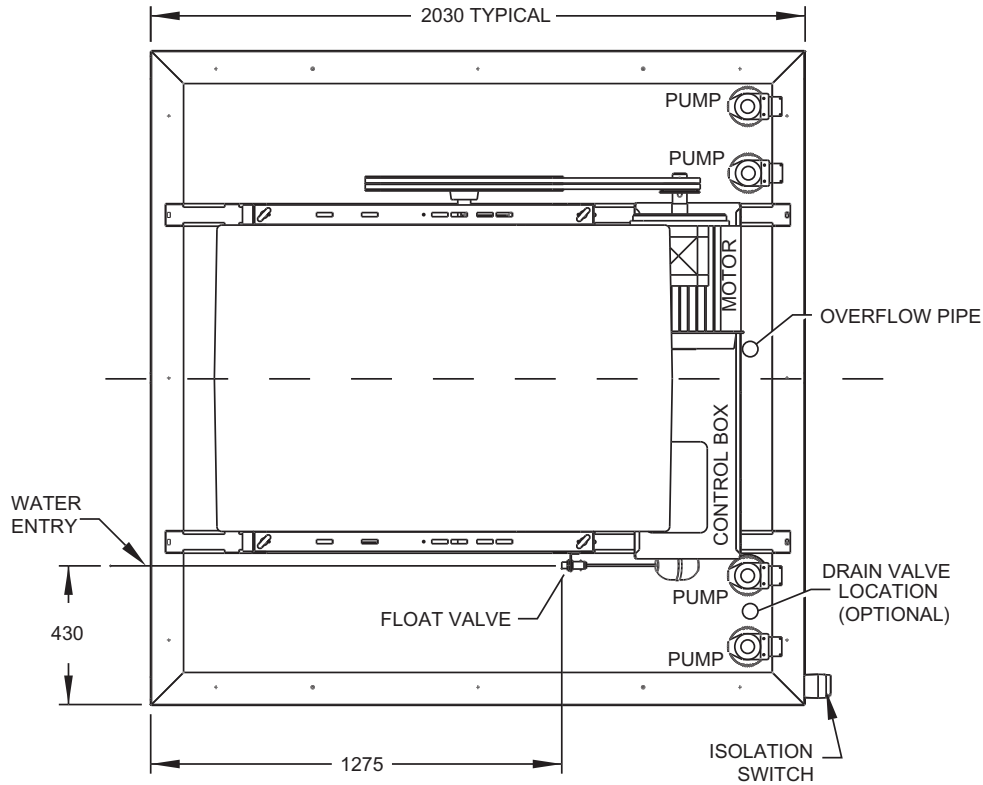
**THESE WIRING INSTRUCTIONS FOR UNITS MADE FROM MARCH 2009
AFTER THE INTRODUCTION OF NEON INDICATORS**

**3 PHASE
WIRING DIAGRAM**

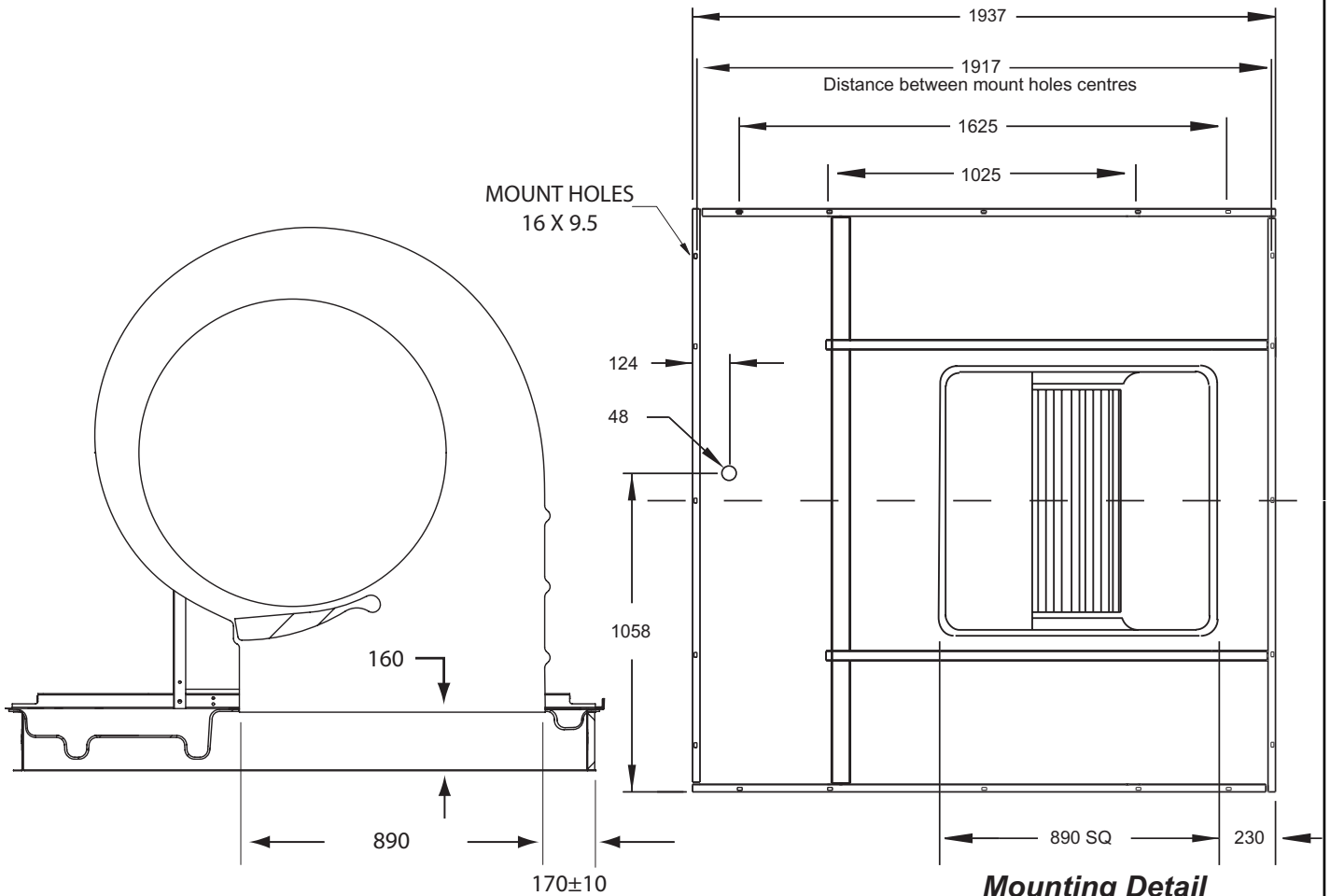


*Link wire removed when drain Valve is installed.
Drain Valve connections are as follows;
Brown wire to terminal 1
Blue wire to terminal 7
Red wire to terminal 2
Orange wire to terminal 3

RPB1200 - 1800 Services & Mounting Details



Services Layout
VIEWED FROM TOP



Mounting Detail

VIEWED FROM BOTTOM

It is the policy of Seeley International to introduce continual product improvement. Accordingly, specifications are subject to change without notice. Please consult with your dealer to confirm the specifications of the model selected.