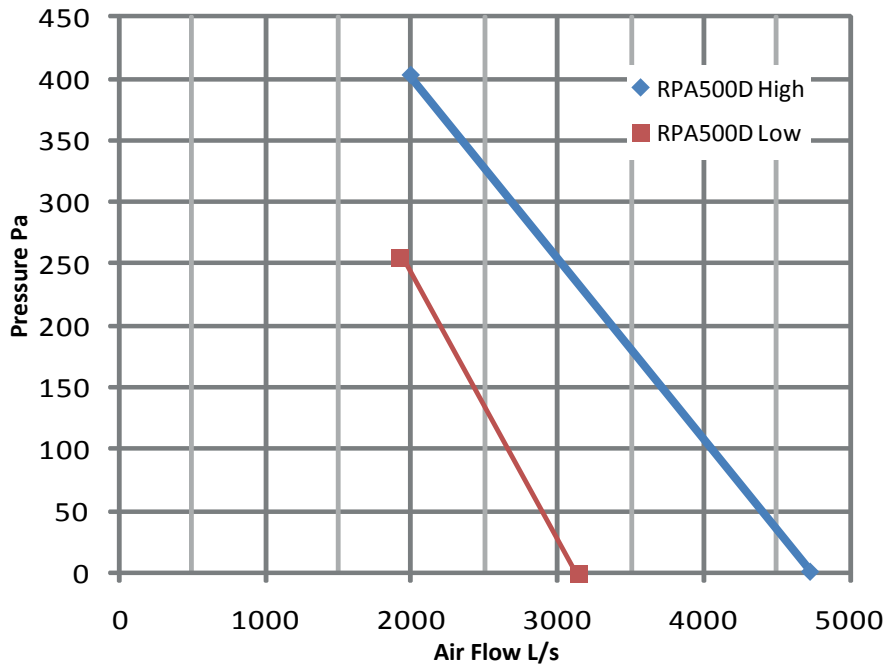


**RPA500D Technical Detail**

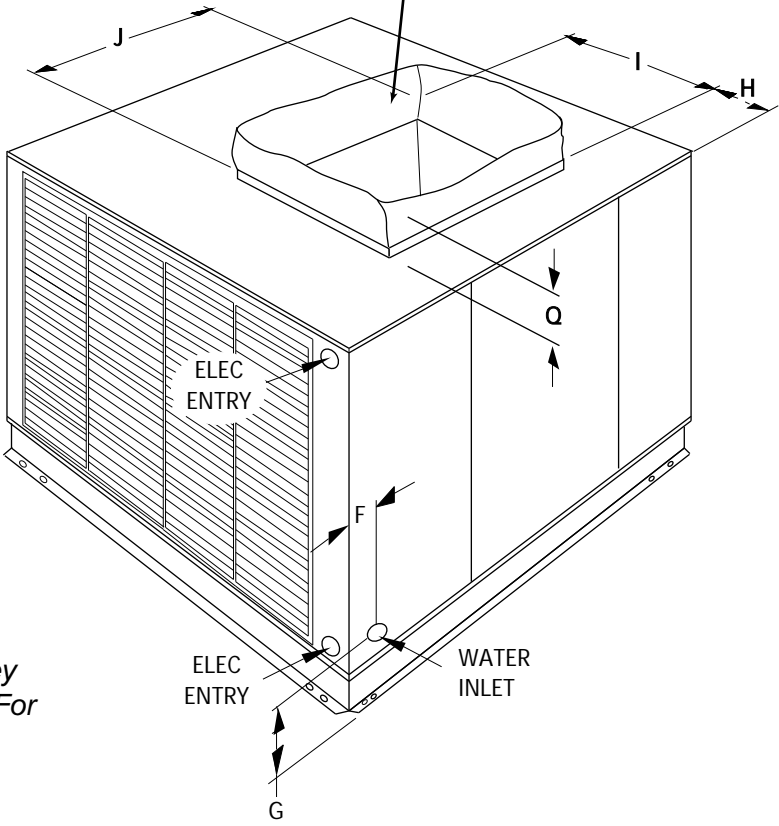
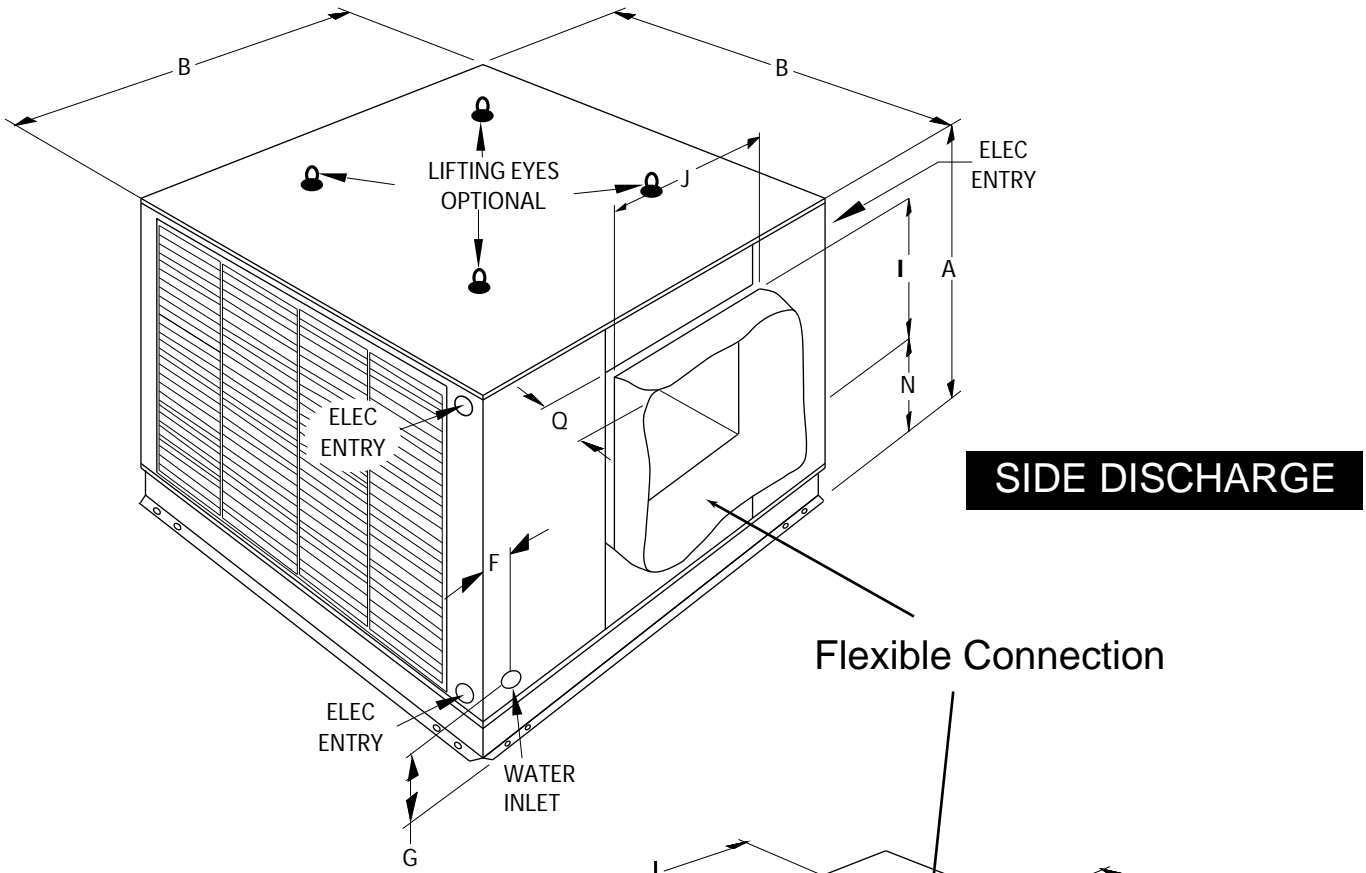
<b>CAPACITY</b>		<b>BLOWER WHEEL</b>		<b>FILTER PADS</b>	
Discharge Type:	D only	Dia x Width mm	560 x 560	Size mm	915 x 485 (8)
High L/s	4760	Shaft mm	25.4	Area m <sup>2</sup>	3.55
Low L/s	3050	Pulley mm	355 x A	Velocity m/s	1.34
		Speed RPM	446: 297	Material	Chilcel & Aspen
		Outlet mm	610 x 610		
<b>SHIPPING</b>		<b>PUMP</b>		<b>MOTOR</b>	
Height mm	1300	Rating Watt	50	Type:	2 Speed 3 ph.
Length mm	1175			Speed RPM	1450 : 960
Width mm	1175			Rating kW	2.5 : 1.1
Volume m <sup>3</sup>	1.79			Current AMP	5.0 : 4.0
Mass kg	142	<b>RESERVIOR</b>		Supply	415V 50 Hz
Net Unit kg	125	Capacity Litres	50	Pulley	100-125 VP x 28 x A
Operating kg	175	Drain Size : Thread	48 : 40		

**RPA500D Fan Curves**



Note: Fan curves shown are at constant rated current - free discharge.

**RPA400 To RPA900 Cabinet Details**



**TOP DISCHARGE**

**NOTE**  
Down discharge units not shown as they are dimensionally the same as above. For outlet details refer to sections 5.1 & 5.2

MODEL	DIMENSIONS															
	A	B	C	D	E	F	G	H	I	J	K	L	M	N	P	Q (max)
RPA400 / 500*	1170	1145	1050	682	560	150	215	50	610	610	100	200	575	490	1032	210
RPA600	1370	1375	1325	700		140	215	115	660	660	200	300	1135	550	1307	320
RPA700 / 900	1650	1520	1475	796		295	215	62	780	760	150	415	185	650	1457	300

\*NOTE RPA500 AVAILABLE IN DOWN DISCHARGE ONLY

PRODUCT IMPROVEMENT 

SAFETY ALERT 

QUALITY ALERT 

## RPB, RPA and RPC Commercial Two Speed Coolers

Due to pending changes in some state safety regulations, as well as energy management becoming increasingly important to all Australian business Braemar Commercial 2 speed wall switches will now come standard with 2 Green Neon Indicators.

The individual neon's on the wall switch will illuminate to indicate when either the pump (cool) or the fan motor (fan) has been switched on. This will allow office and factory personnel to identify at a glance if the Coolers fan or pump are running.

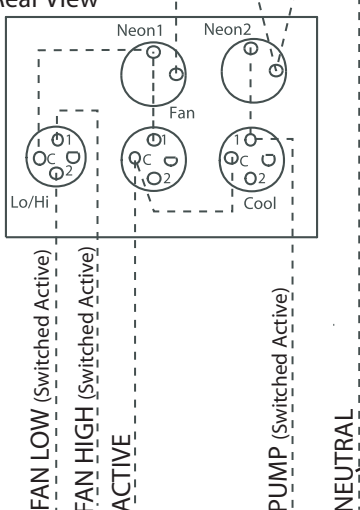
All coolers manufactured from Serial Number C0902xxxx will have the new wall switch included.



Part Number  
633305

WALL SWITCH

Rear View



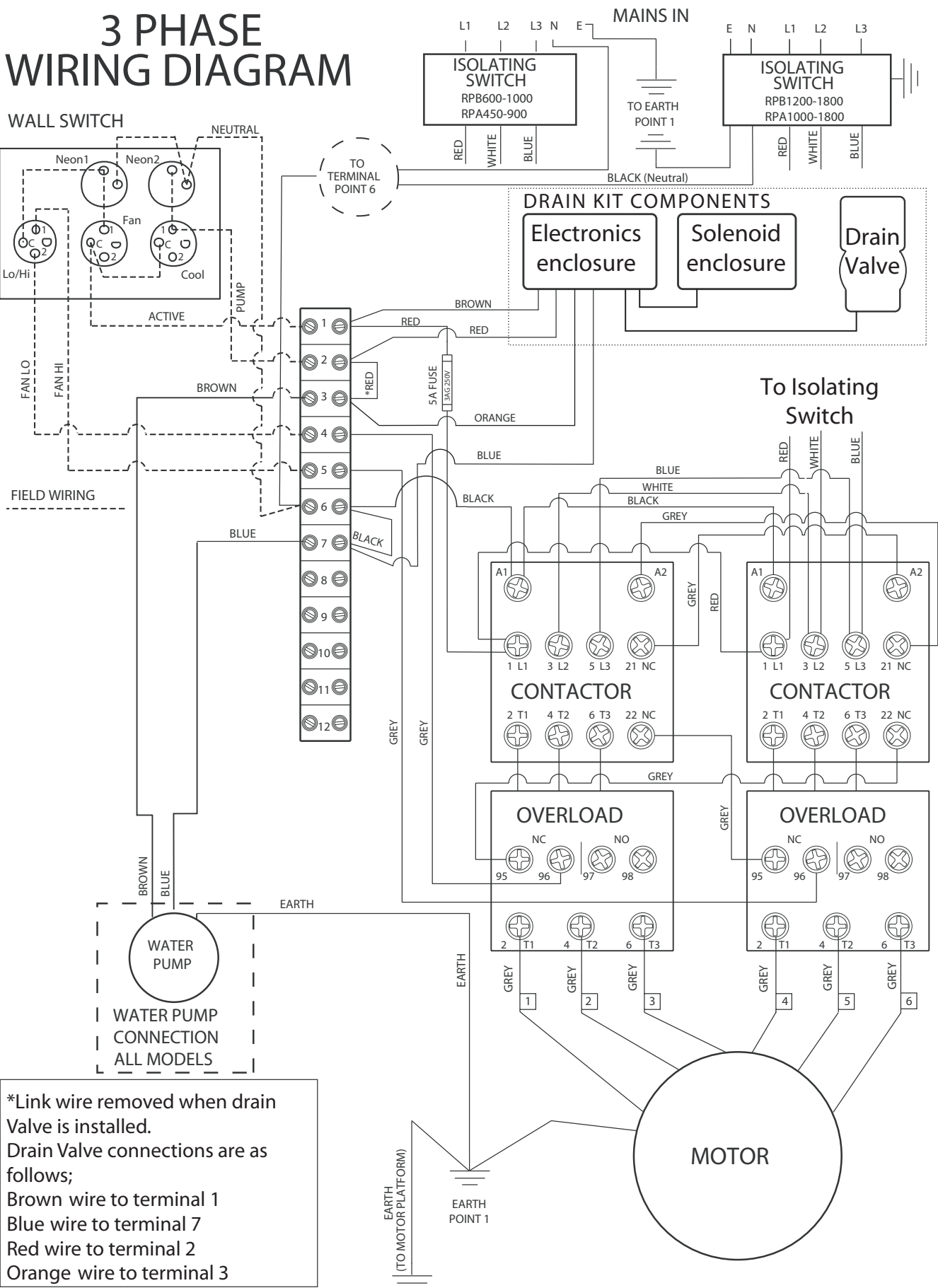
Required wiring from the cooler control box to the wall switch.

- Active x 1
- Switched Active x 3
- Neutral x 1

**New Wire Required**

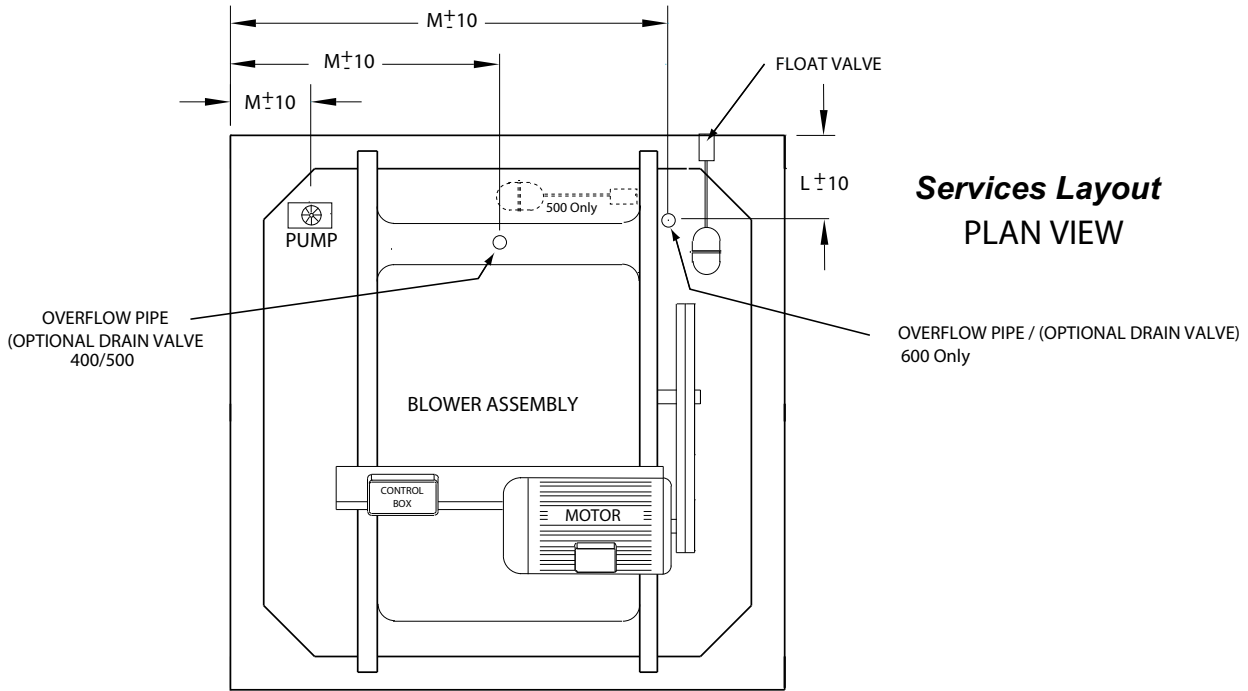
**THESE WIRING INSTRUCTIONS FOR UNITS MADE FROM MARCH 2009  
AFTER THE INTRODUCTION OF NEON INDICATORS**

# 3 PHASE WIRING DIAGRAM

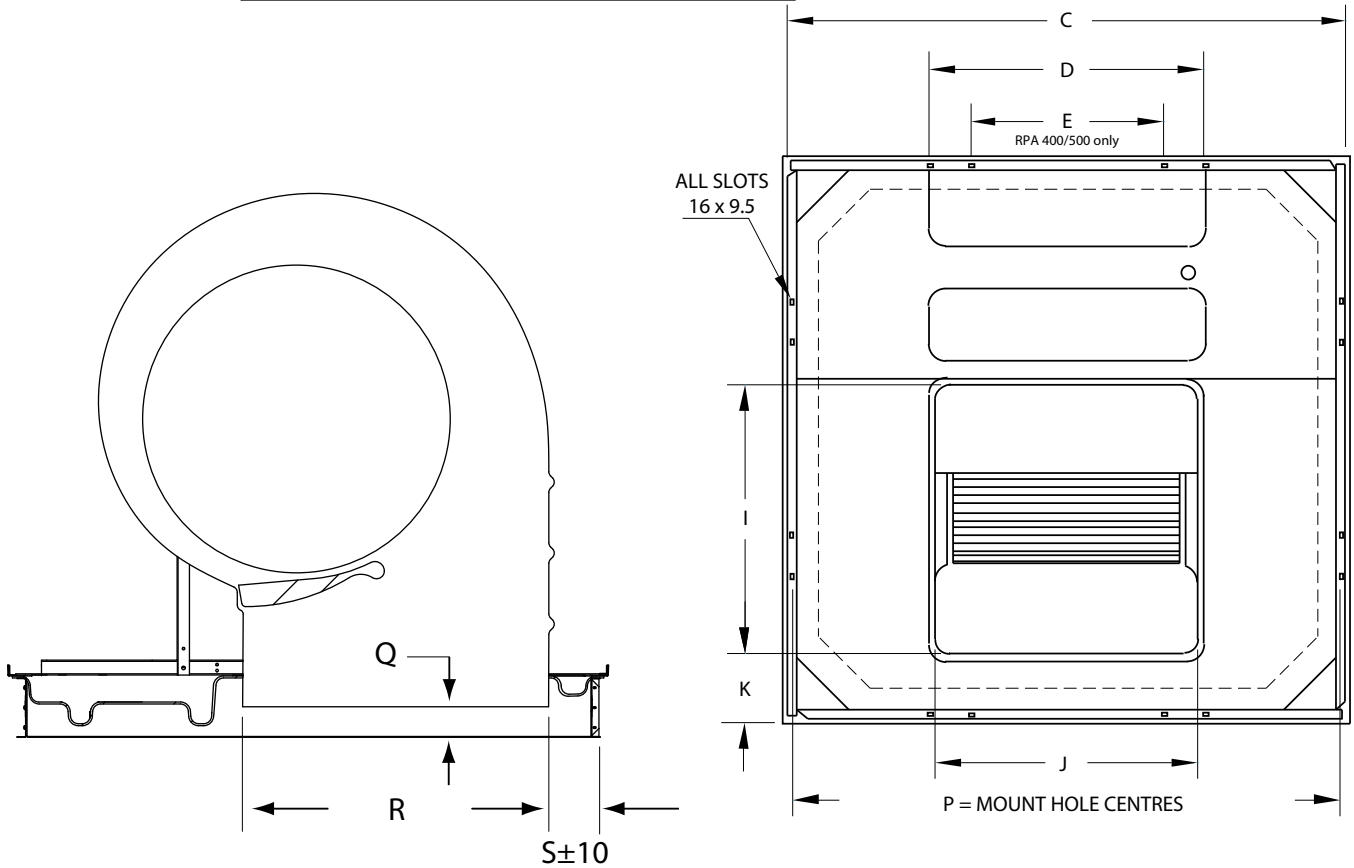


\*Link wire removed when drain Valve is installed.  
Drain Valve connections are as follows;  
Brown wire to terminal 1  
Blue wire to terminal 7  
Red wire to terminal 2  
Orange wire to terminal 3

**RPA400 - 600 Services & Mounting Details**



**Services Layout  
PLAN VIEW**



**Mounting Detail RPA400 - RPA600**

**VIEWED FROM BOTTOM**

MODEL	DIMENSIONS																	
	A	B	C	D	E	F	G	H	I	J	K	L	M	N	P	Q	R	S
RPA400 / 500*	1170	1145	1050	682	560	150	215	50	610	610	100	200	575	490	1032	100	610	65
RPA600	1370	1375	1325	700		140	215	115	660	660	200	300	1135	550	1307	100	610	180

\*NOTE RPA500 AVAILABLE IN DOWN DISCHARGE ONLY

It is the policy of Seeley International to introduce continual product improvement. Accordingly, specifications are subject to change without notice. Please consult with your dealer to confirm the specifications of the model selected.

Manufacturers and Designers of Technically Advanced Quality Heating and Cooling Products.....Oct 2005 issue 1