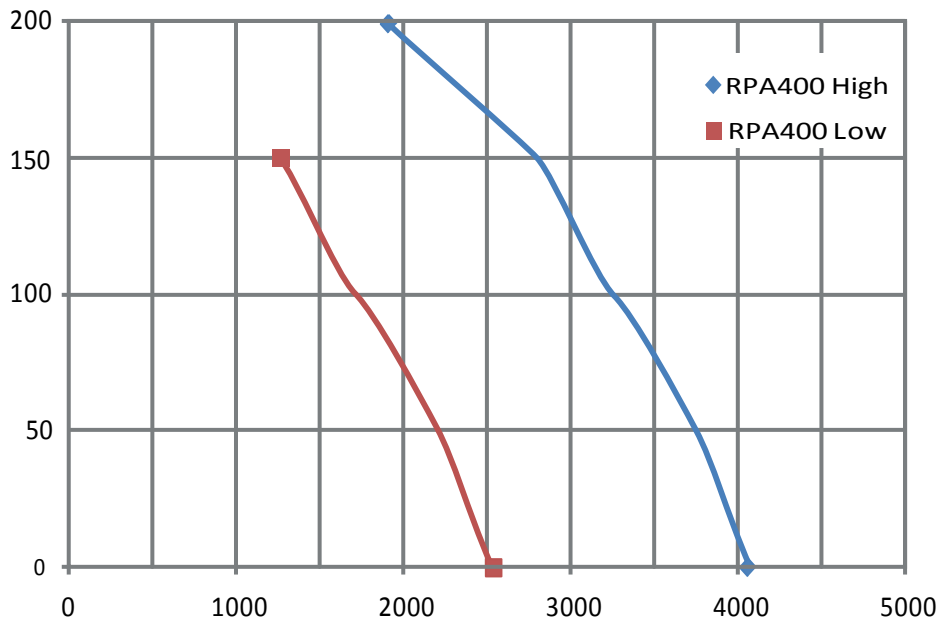


RPA400 Technical Detail

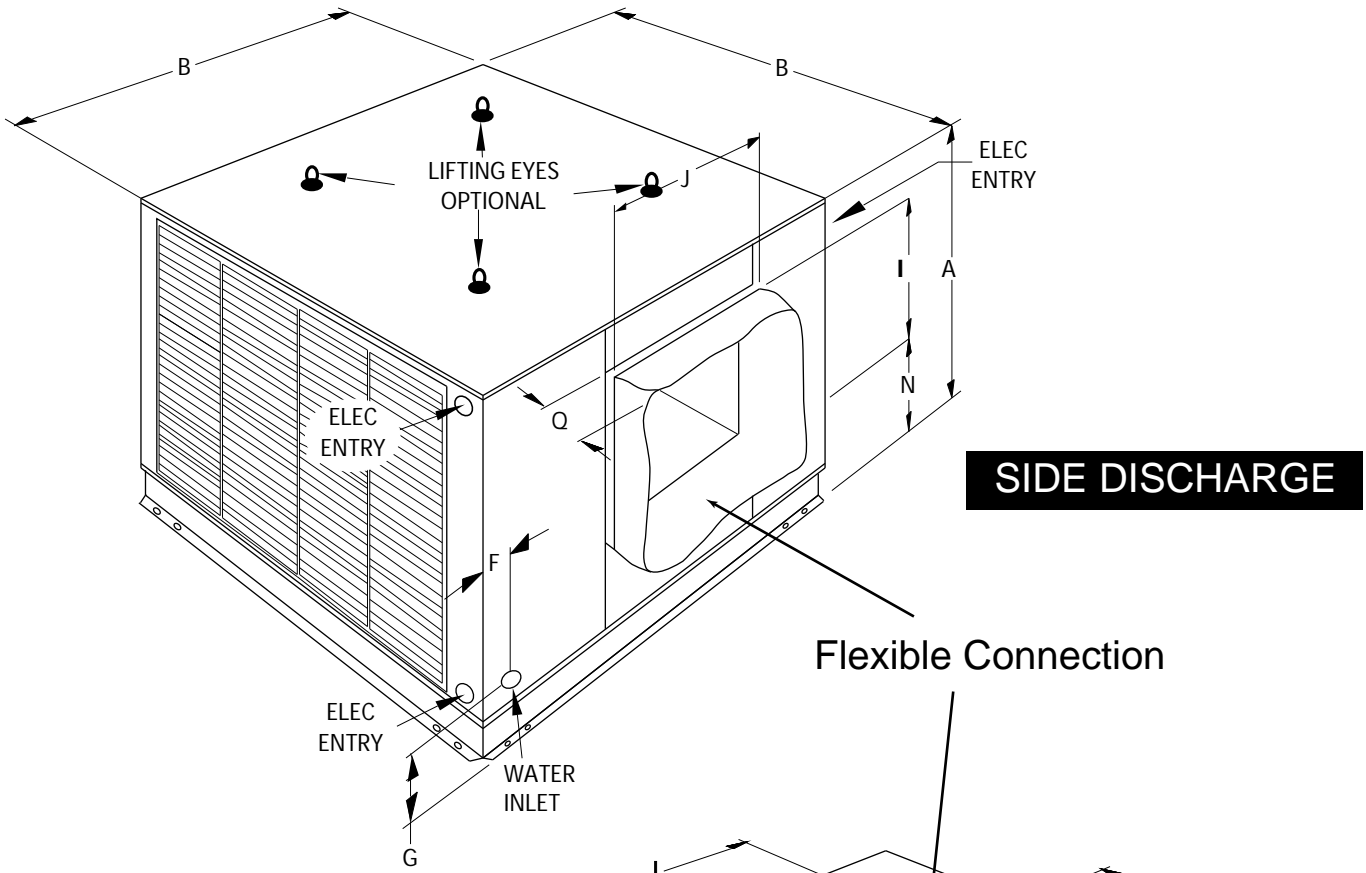
| | | | | | |
|-----------------|---------|---------------------|-----------|--------------------|--------------------|
| CAPACITY | | BLOWER WHEEL | | FILTER PADS | |
| Discharge Type: | D, S, T | Dia x Width mm | 560 x 560 | Size mm | 915 x 485 (6) |
| High L/s | 4100 | Shaft mm | 25.4 | Area m2 | 2.66 |
| Low L/s | 2500 | Pulley mm | 305 x A | Velocity m/s | 1.54 |
| | | Speed RPM | 350 : 233 | Material | Chilcel / Aspen |
| | | Outlet mm | 610 x 610 | | |
| SHIPPING | | PUMP | | MOTOR | |
| Height mm | 1300 | Rating Watt | 50 | Type: | 2 Speed 1 ph. |
| Length mm | 1175 | | | Speed RPM | 1380 : 920 |
| Width mm | 1175 | | | Rating kW | 1.1 : 0.55 |
| Volume m3 | 1.79 | | | Current AMP | 7.1 : 4.5 |
| Mass kg | 136 | RESERVIOR | | Supply | 240V 50 Hz |
| Net Unit kg | 119 | Capacity Litres | 50 | Pulley | 76-100 x 15.75 x A |
| Operating kg | 169 | Drain Size : Thread | 48 : 40 | | |

RPA400 Fan Curves

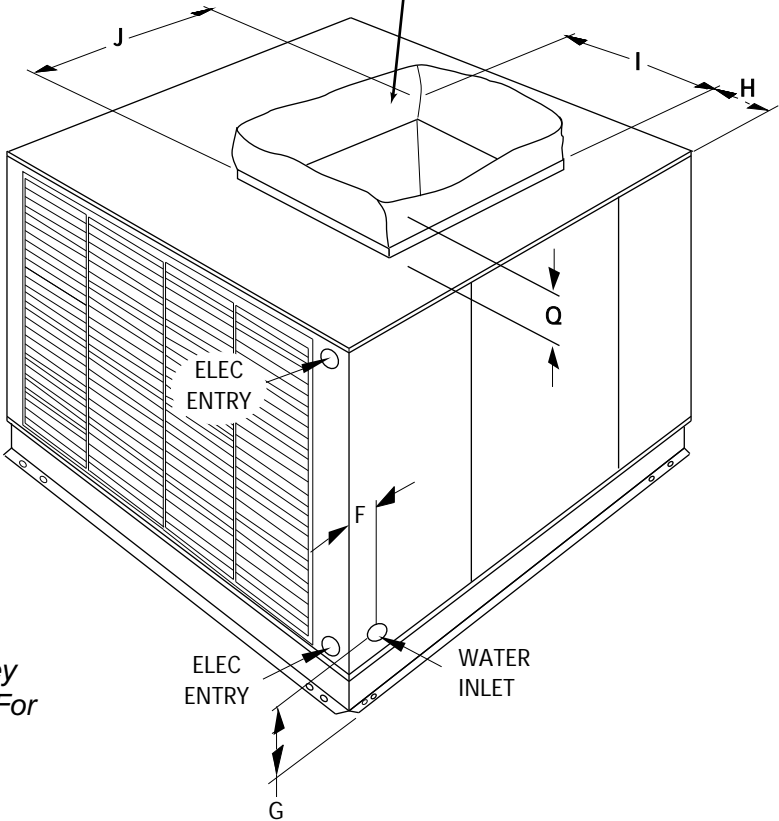


Note: Fan curves shown are at constant rated current free discharge pulleys. Pulleys for specified pressure applications available on request

RPA400 To RPA900 Cabinet Details



TOP DISCHARGE



NOTE
Down discharge units not shown as they are dimensionally the same as above. For outlet details refer to sections 5.1 & 5.2

| MODEL | DIMENSIONS | | | | | | | | | | | | | | | |
|---------------|------------|------|------|-----|-----|-----|-----|-----|-----|-----|-----|-----|------|-----|------|---------|
| | A | B | C | D | E | F | G | H | I | J | K | L | M | N | P | Q (max) |
| RPA400 / 500* | 1170 | 1145 | 1050 | 682 | 560 | 150 | 215 | 50 | 610 | 610 | 100 | 200 | 575 | 490 | 1032 | 210 |
| RPA600 | 1370 | 1375 | 1325 | 700 | | 140 | 215 | 115 | 660 | 660 | 200 | 300 | 1135 | 550 | 1307 | 320 |
| RPA700 / 900 | 1650 | 1520 | 1475 | 796 | | 295 | 215 | 62 | 780 | 760 | 150 | 415 | 185 | 650 | 1457 | 300 |

*NOTE RPA500 AVAILABLE IN DOWN DISCHARGE ONLY

It is the policy of Seeley International to introduce continual product improvement. Accordingly, specifications are subject to change without notice. Please consult with your dealer to confirm the specifications of the model selected.

PRODUCT IMPROVEMENT 

SAFETY ALERT 

QUALITY ALERT 

RPB, RPA and RPC Commercial Two Speed Coolers

Due to pending changes in some state safety regulations, as well as energy management becoming increasingly important to all Australian business Braemar Commercial 2 speed wall switches will now come standard with 2 Green Neon Indicators.

The individual neon's on the wall switch will illuminate to indicate when either the pump (cool) or the fan motor (fan) has been switched on. This will allow office and factory personnel to identify at a glance if the Coolers fan or pump are running.

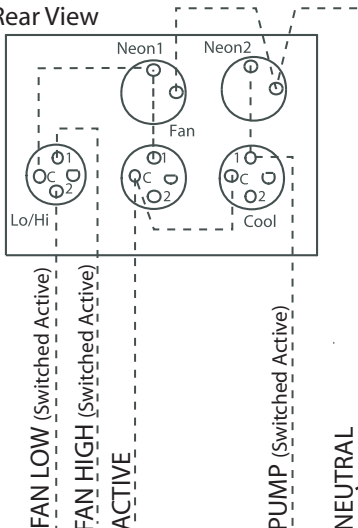
All coolers manufactured from Serial Number C0902xxxx will have the new wall switch included.



Part Number
633305

WALL SWITCH

Rear View



Required wiring from the cooler control box to the wall switch.

- Active x 1
- Switched Active x 3
- Neutral x 1

New Wire Required

**THESE WIRING INSTRUCTIONS FOR UNITS MADE PRIOR TO JANUARY 2006
WHERE THE MAINS POWER IS SUPPLIED TO WALL SWITCH**

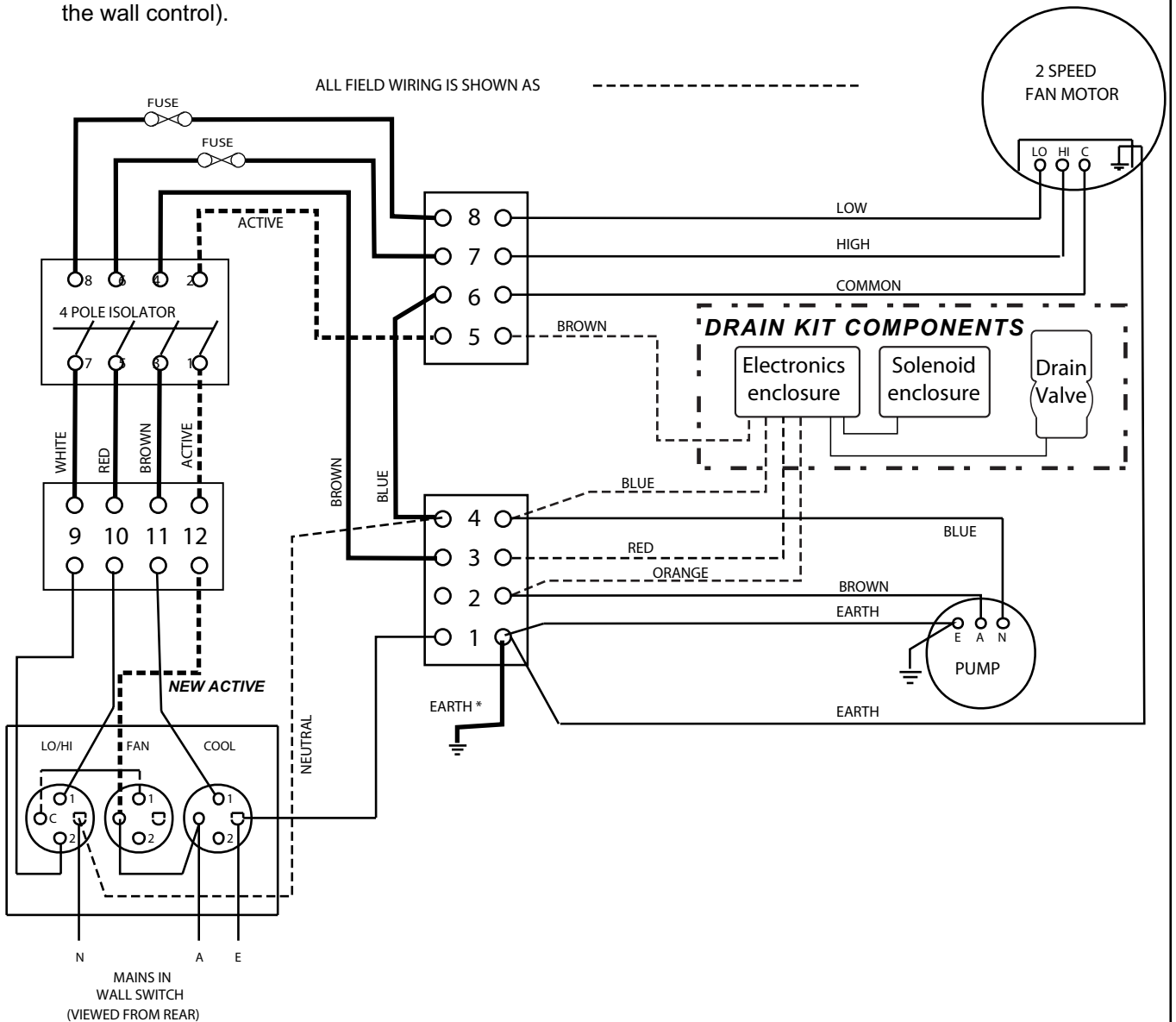
WIRING INSTRUCTIONS FOR DRAIN VALE INSTALLATION.

Firstly, make these changes to Isolation Box wiring;

1. Remove **NEUTRAL** wire (coming from the wall switch) from terminal point 12 and refit into terminal 4
2. Remove the **BLUE** wire between terminal point 12 and isolator point 1.
3. Remove the **BLUE** wire from isolator point 2 and terminal point 6. Leave the link between terminals 6 & 4.
4. Remove the **BROWN** wire from the pump and refit into terminal 2 along with the **ORANGE** wire from Electronics enclosure
5. Connect the **BROWN** wire from the Electronics enclosure to terminal point 5
6. Connect the **BLUE** wire from Electronics enclosure to terminal point 4
7. Connect the **RED** wire from the Electronics enclosure to terminal point 3.

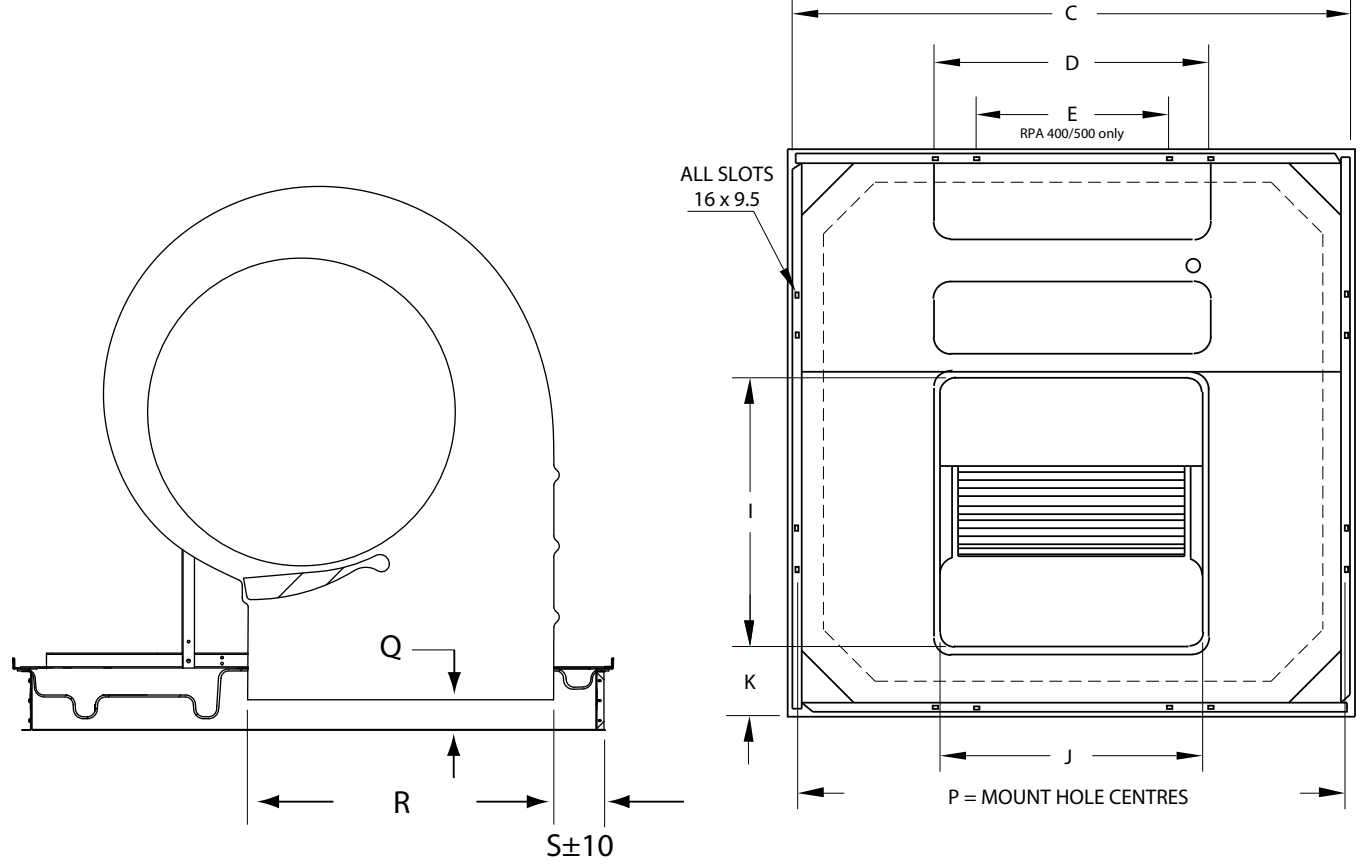
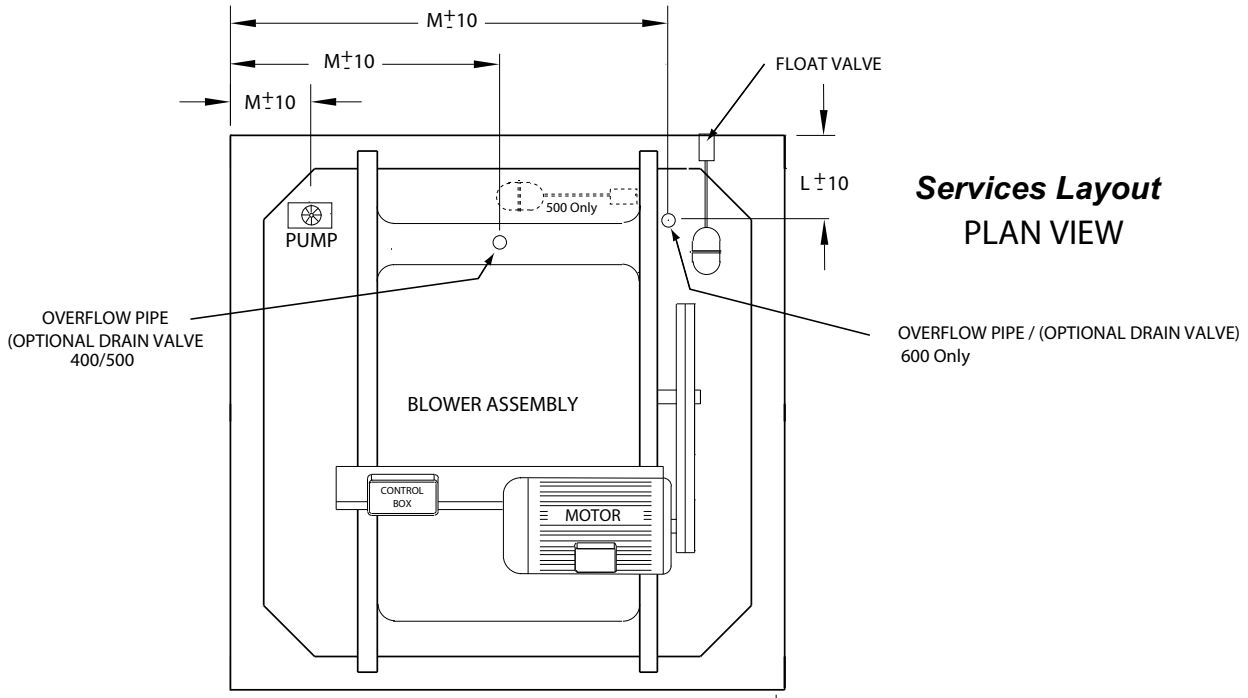
Additional changes

8. Add an **ACTIVE** wire between isolator point 1 and terminal point 5.
9. Add an **ACTIVE** wire between isolator point 2 and terminal point 5.
10. **ADD A NEW ACTIVE** wire from terminal point 12 to the common terminal on the FAN switch. (At the wall control).



It is the policy of Seeley International to introduce continual product improvement. Accordingly, specifications are subject to change without notice. Please consult with your dealer to confirm the specifications of the model selected.

RPA400 - 600 Services & Mounting Details



| MODEL | DIMENSIONS | | | | | | | | | | | | | | | | | |
|---------------|------------|------|------|-----|-----|-----|-----|-----|-----|-----|-----|-----|------|-----|------|-----|-----|-----|
| | A | B | C | D | E | F | G | H | I | J | K | L | M | N | P | Q | R | S |
| RPA400 / 500* | 1170 | 1145 | 1050 | 682 | 560 | 150 | 215 | 50 | 610 | 610 | 100 | 200 | 575 | 490 | 1032 | 100 | 610 | 65 |
| RPA600 | 1370 | 1375 | 1325 | 700 | | 140 | 215 | 115 | 660 | 660 | 200 | 300 | 1135 | 550 | 1307 | 100 | 610 | 180 |

*NOTE RPA500 AVAILABLE IN DOWN DISCHARGE ONLY

It is the policy of Seeley International to introduce continual product improvement. Accordingly, specifications are subject to change without notice. Please consult with your dealer to confirm the specifications of the model selected.