

TECHNICAL SPECIFICATIONS - ENVIROMAGIC ENV600

CABINET AND WATER RESERVOIR

The cabinet and water reservoir components are moulded from high grade UV polymer. Metal components are manufactured from marine grade aluminium, stainless steel, or are effectively treated to ensure corrosion resistance.

Crane lifting is accommodated via 3 built in shackle points on the top lid surface.

Connection surfaces are provided for outlet ductwork to be fitted using established industry practices.

FAN

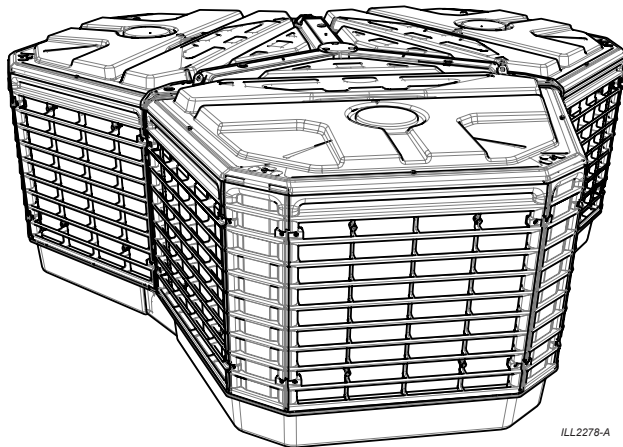
The fan is a multi blade assembly constructed of glass reinforced polymer. The blades are aerofoil shaped. The fan is mounted directly to the motor shaft by means of a set screw.

FAN MOTORS

The fan motor is a single phase inverter motor, with die-cast fully enclosed aluminium frame. The motor and fan assembly are supported on an injection moulded glass reinforced polymer venturi ring via a glass reinforced polymer motor mount. The fan motor is fitted with a polarised plug for quick removal and replacement.

ELECTRICAL CONTROL

Control equipment including supply connection terminals, motor control hardware, interface electronics and contactor is factory mounted and wired and contained within an approved enclosure. It is recommended that the electrical contractor install an isolation switch adjacent the cooler.



THERMOSTAT CONTROL

All Enviromagic coolers come standard with a MagIQcool controller, for full automatic control. MagIQtouch or Switch Plate controllers are available as alternative controller options. Connection of the controller to the cooler is via a 40 metre low voltage cable. Enviromagic coolers are also capable of being controlled by an external BMS system.

WATER MANAGEMENT SYSTEM

The water supply connection is via a ½" copper tube that connects to the water inlet solenoid. Pad saturation is achieved through three internal pumps delivering water to a specially designed non-clog water distribution system guaranteeing continuous uniform flow, fitted within the lid of the cooler. The pumps are manufactured from engineering plastics, with stainless steel shafts and fully encapsulated synchronous motors with thermal overload protection. The cooler is fitted ex-factory with an electronic water management system that controls the maximum salinity level of the reservoir water through continuous monitoring and replenishment as determined by the control system. The cooler is fitted with an electrically operated drain valve that responds to the water management control system.

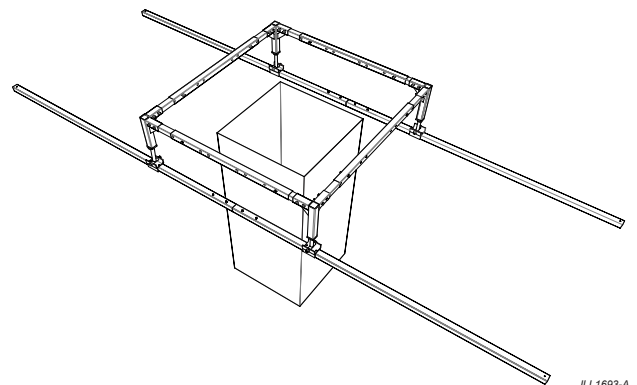
COOLING PADS

Cooling filter pads are Chillcel® fabricated, honeycomb, high efficiency type.

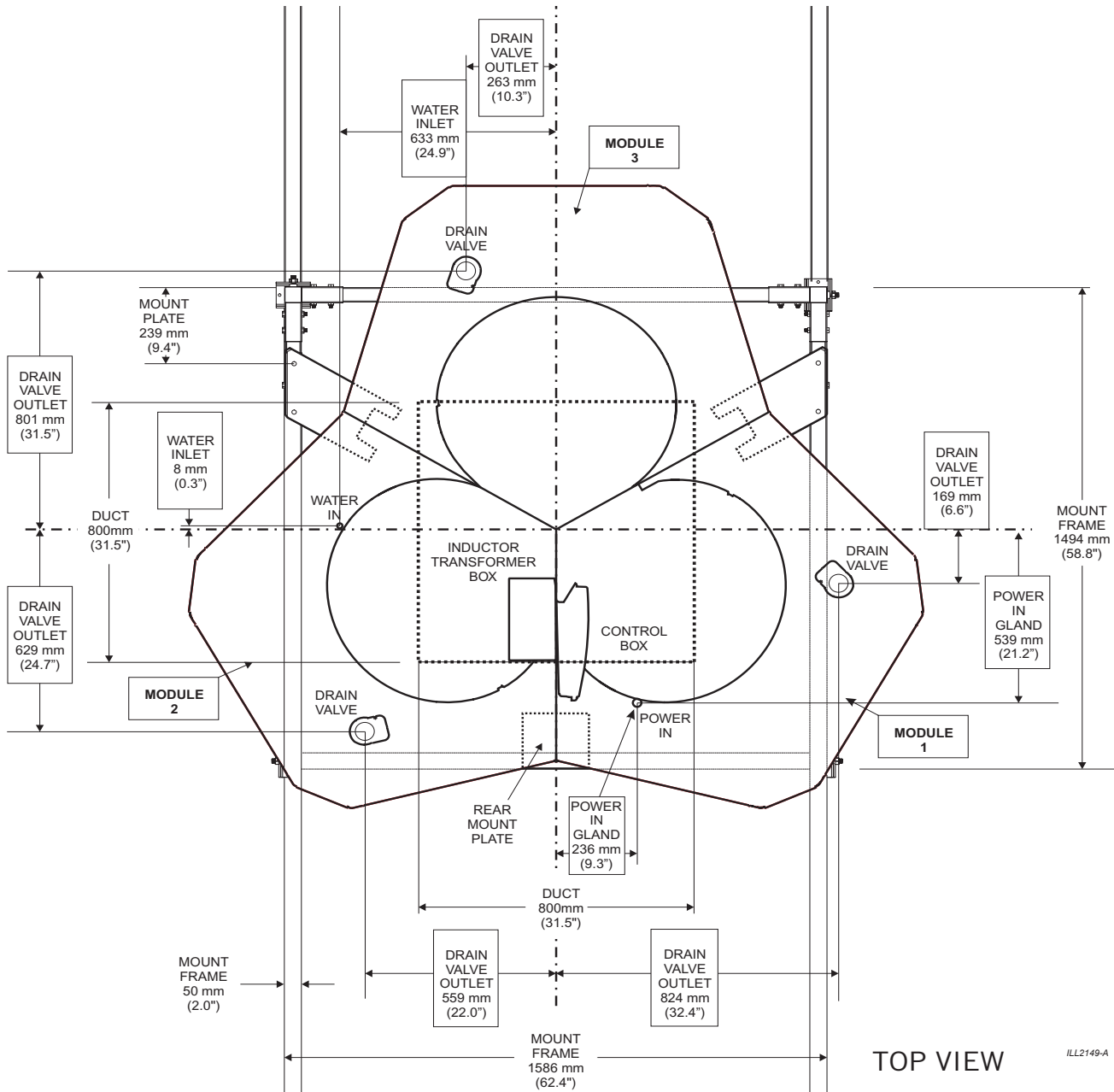
MOUNTING FRAME

An optional mounting frame with adjustable height legs, designed to accommodate roof pitches up to 10 degrees is available.

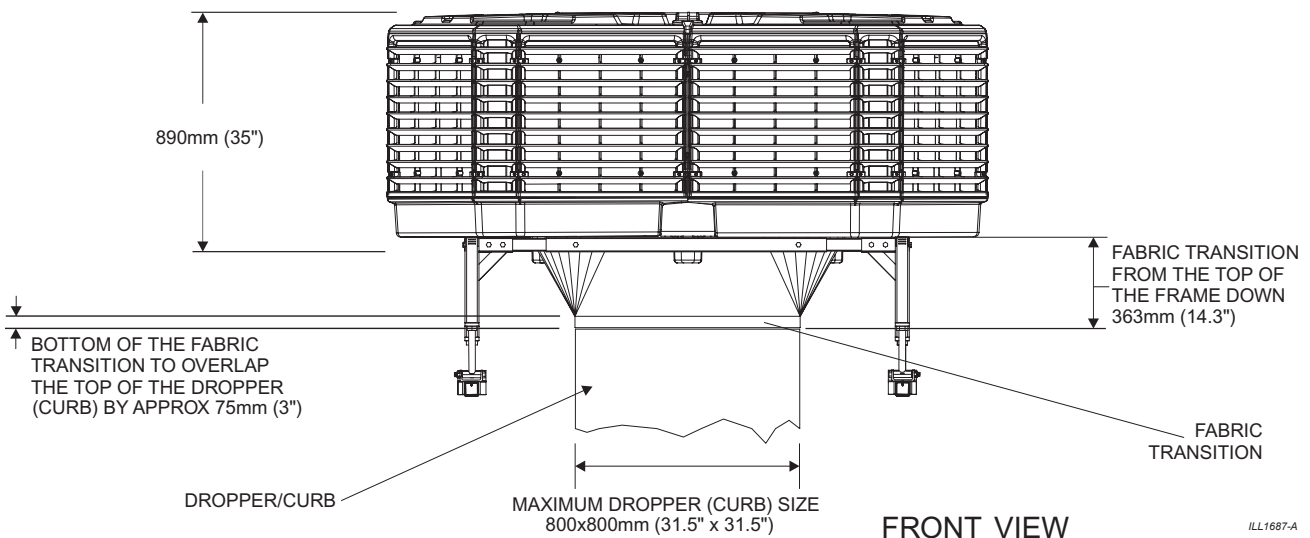
- Seeley Roofstand (0 - 10 Degrees) P/N 134215
- Seeley Roofstand Braces P/N 860923



LOCATIONS FOR SERVICES



Dimensions are in mm (inches in brackets).



TECHNICAL SPECIFICATIONS - ENVIROMAGIC ENV600

Airflow	L/sec @ 80Pa (cfm @ 0.3 IWG)	4,940 l/sec (10,680cfm)
Power Supply (Europe / Australia)	Voltage/Phases/Hz	380V - 415V / 3~ / 50Hz
	Rated Current (Amp)	3.5A / phase (3~, 415V)
	Voltage/Phases/Hz	220V - 240V / 1~ / 50Hz
	Rated Current (Amp)	10.5A
Power Supply (USA)	Voltage/Phases/Hz (USA)	200V - 240V / 3~ / 60Hz
	Rated Current MCA (Amp)	6.0A / phase
	MOPD (amp)	15A
Controller	Type	Variable speed
Fan x 3	Type	Axial
Motor x 3	Type	Inverter - Variable speed
	Speed max. RPM	1,330 RPM
	Power	430W each motor
	Current	3.2A
	Voltage/Phases/Hz	200V - 240V / 1~ / 50-60Hz
	Overloads	Auto-reset and "One Shot"
Pump x 3	Type	Centrifugal
	Motor	Synchronous
	Rating Watts input/motor	25W each pump
	Flow Rate l/min (gallons/min)	21 l/min (5.5 gallons/min)
	Voltage/Phases/Hz	220V - 240V / 1~ / 50Hz (Eur/Aus) 60Hz (USA)
Cooling Pad Chillcel	Size mm (inches)	593 (23.5") x 550 (21.5") x 100mm (4.0") (9 Pads)
	Pad Area m² (square feet)	2.9m ² (31ft ²)
Water	Tank capacity litres (gallons)	48 litres (13 gallons)
	Water Inlet (inches)	1/2" male BSP
Drain Valve	Voltage	12V
	mm (inches)	40mm (1 1/2") male
Shipping	Dimensions max. mm / (inches)	1,935 (76") x 2,150 (85") x 890mm (35") (H)
	Mass kg (lb)	190kg (419lb)
	Operating kg (lb)	265kg (584lb) (water tanks full)
Connecting Duct	Length & Width mm (inches)	800mm (31.5") x 800mm (31.5")

* Cooling capacity measured to Australian Standard AS2913-2000, ambient of 38°C dry bulb & 21°C wet bulb, with room exit temperature of 27.4°C.

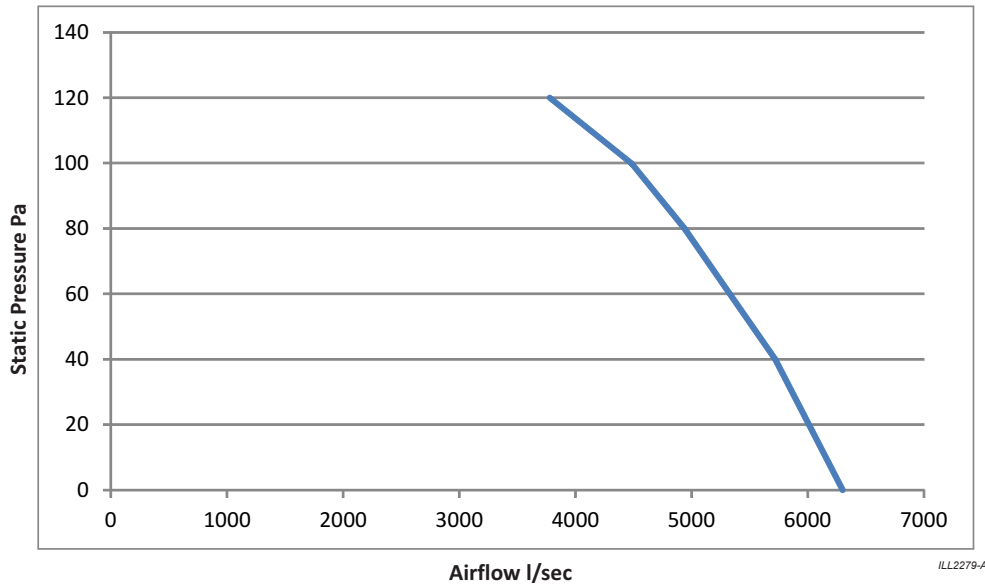
Frequency (Hz)	Radiated Sound Power Level (dB re 1pw) Octave Band Centre Frequency								Total Sound Power (dBA re 1pw)
	63	125	250	500	1k	2k	4k	8k	
ENV600	tba	tba	tba	tba	tba	tba	tba	tba	tba

Airflow/Pressure Table							
Static Pressure	Pa	0	40	60	80	100	120
ENV600	l/s	6,300	5,720	5,330	4,940	4,480	3,780
	m ³ /hr	22,680	20,590	19,190	17,780	16,130	13,610

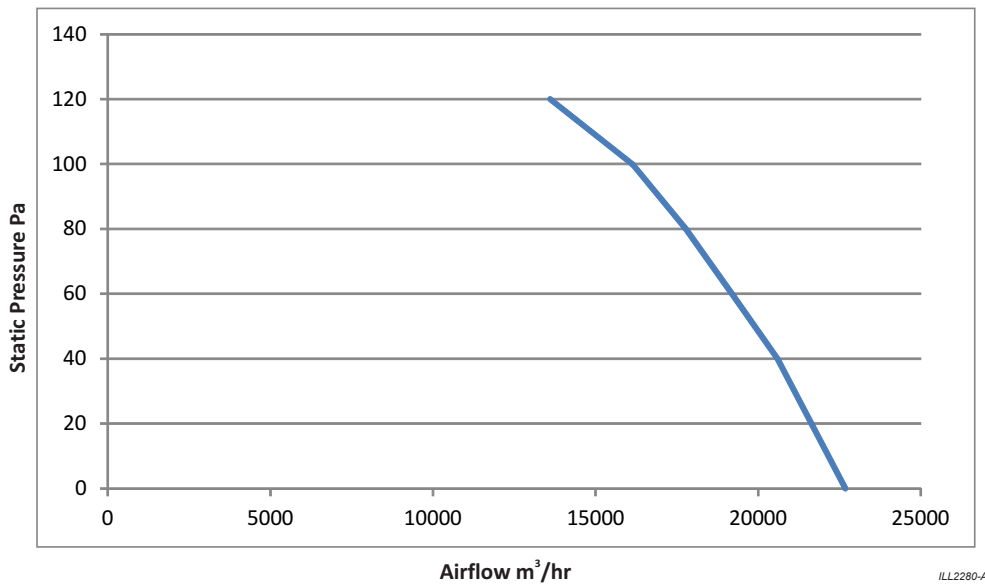
Airflow/Pressure Table							
Static Pressure	iwg	0	0.1	0.2	0.3	0.4	0.5
ENV600	cfm	13,350	12,690	11,720	10,680	9,510	7,560

FAN CURVES

Fan Curve (l/sec)



Fan Curve (m³/hr)



Fan Curve (cfm)

