

## TECHNICAL SPECIFICATIONS - ENVIROMAGIC ENV1000

### CABINET AND WATER RESERVOIR

The cabinet and water reservoir components are moulded from high grade UV polymer. Metal components are manufactured from marine grade aluminium, stainless steel, or are effectively treated to ensure corrosion resistance.

Crane lifting is accommodated via 3 built in shackle points on the top lid surface.

Connection surfaces are provided for outlet ductwork to be fitted using established industry practices.

### FAN

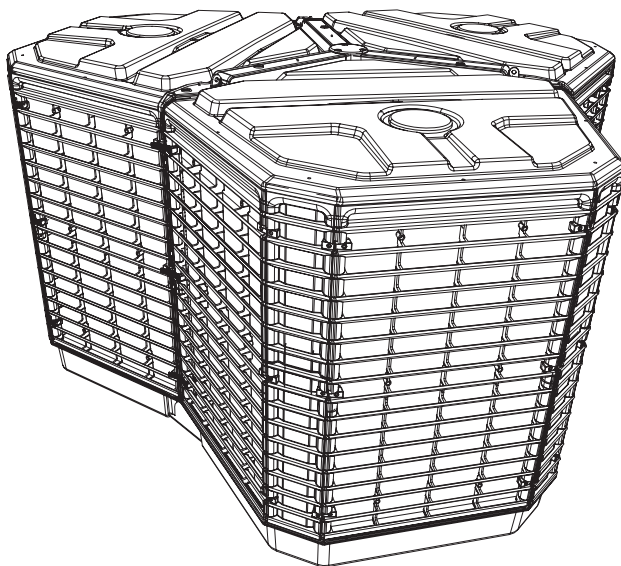
The fan is a multi blade assembly constructed of glass reinforced polymer. The blades are aerofoil shaped. The fan is mounted to the motor shaft by means of a screw-on collet.

### FAN MOTORS

The fan motor is a three phase inverter motor, with die-cast fully enclosed aluminium frame. The motor and fan assembly are supported on an injection moulded glass reinforced polymer venturi ring via a glass reinforced polymer motor mount. The fan motor is fitted with a polarised plug for quick removal and replacement.

### ELECTRICAL CONTROL

Control equipment including supply connection terminals, motor control hardware, interface electronics and contactor is factory mounted and wired and contained within an approved enclosure. It is recommended that the electrical contractor install an isolation switch adjacent the cooler.



ILL2284-A

### THERMOSTAT CONTROL

All Enviromagic coolers come standard with a MagIQcool controller, for full automatic control. MagIQtouch or Switch Plate controllers are available as alternative controller options. Connection of the controller to the cooler is via a 40 metre low voltage cable. Enviromagic coolers are also capable of being controlled by an external BMS system.

### WATER MANAGEMENT SYSTEM

The water supply connection is via a ½" copper tube that connects to the water inlet solenoid. Pad saturation is achieved through three internal pumps delivering water to a specially designed non-clog water distribution system guaranteeing continuous uniform flow, fitted within the lid of the cooler. The pumps are manufactured from engineering plastics, with stainless steel shafts and fully encapsulated synchronous motors with thermal overload protection. The cooler is fitted ex-factory with an electronic water management system that controls the maximum salinity level of the reservoir water through continuous monitoring and replenishment as determined by the control system. The cooler is fitted with an electrically operated drain valve that responds to the water management control system.

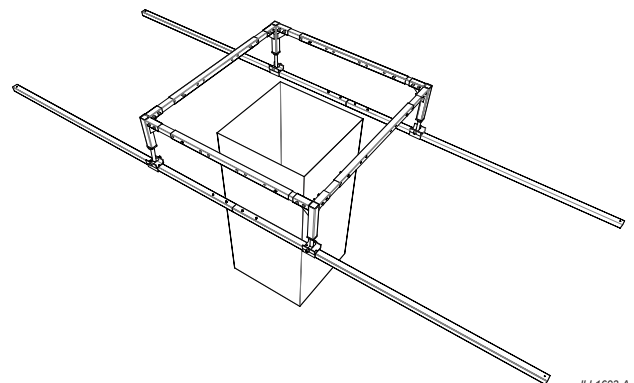
### COOLING PADS

Cooling filter pads are Chillcel® fabricated, honeycomb, high efficiency type.

### MOUNTING FRAME

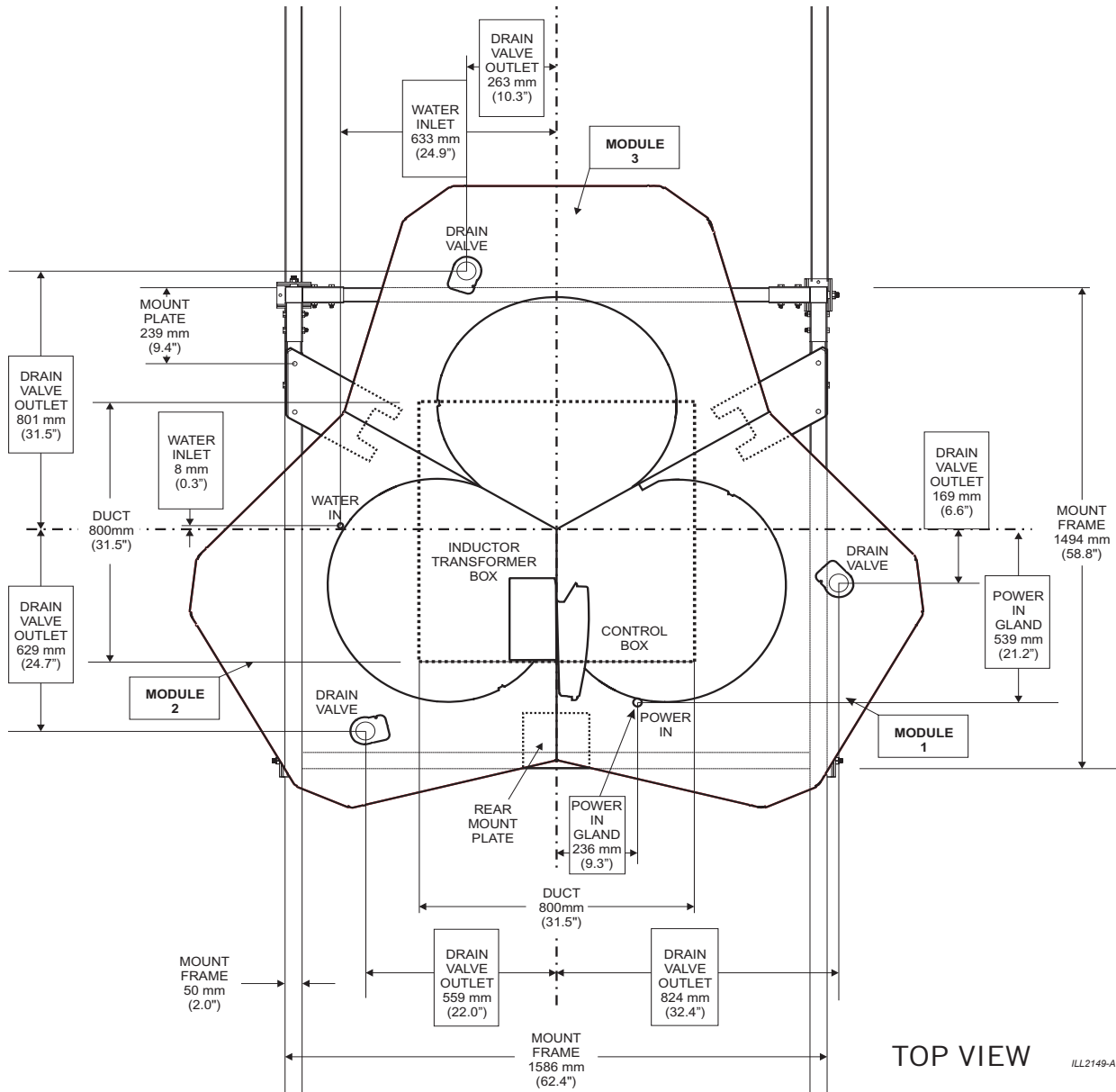
An optional mounting frame with adjustable height legs, designed to accommodate roof pitches up to 10 degrees is available.

- Seeley Roofstand (0 - 10 Degrees) P/N 134215
- Seeley Roofstand Braces P/N 860923



ILL1693-A

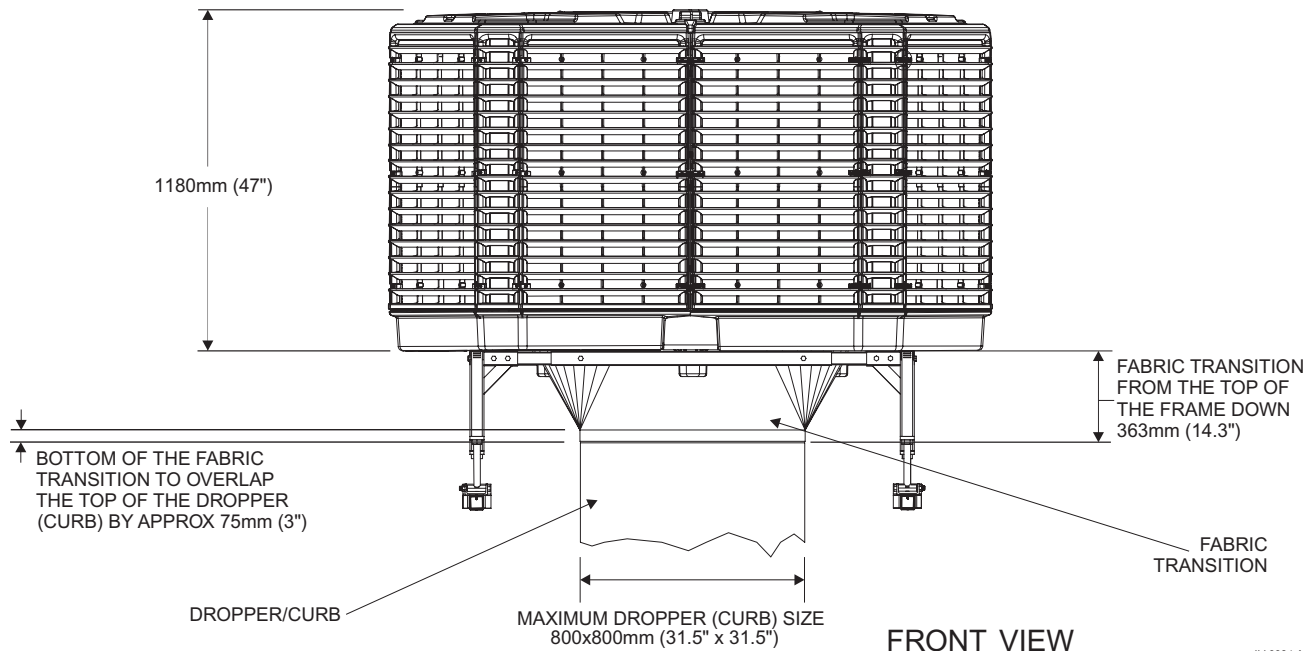
LOCATIONS FOR SERVICES



TOP VIEW

ILL2149-A

Dimensions are in mm (inches in brackets).



FRONT VIEW

ILL2284-A

## TECHNICAL SPECIFICATIONS - ENVIROMAGIC ENV1000

<b>Airflow</b>	<b>L/sec @ 80Pa (cfm @ 0.3 IWG)</b>	9,140 l/sec (19,540cfm)
<b>Power Supply (Europe, Australia)</b>	<b>Voltage/Phases/Hz (Europe Aust)</b>	400V - 415V / 3~ / 50Hz
	<b>Rated Current (Amp)</b>	8.5A (3~, 415V)
<b>Power Supply (USA)</b>	<b>Voltage/Phases/Hz (USA)</b>	440V - 480V / 3~ / 60Hz
	<b>Rated Current MCA (Amp)</b>	11.25A / phase
	<b>MOPD (amp)</b>	15A
<b>Controller</b>	<b>Type</b>	Variable speed
<b>Fan x 3</b>	<b>Type</b>	Axial
<b>Motor x 3</b>	<b>Type</b>	Inverter - Variable speed
	<b>Speed max. RPM</b>	1,600 RPM
	<b>Power</b>	1,500W each motor
	<b>Current</b>	2.8A
	<b>Voltage/Phases/Hz</b>	380V - 480V / 3~ / 50-60Hz
	<b>Overloads</b>	Auto-reset and "One Shot"
<b>Pump x 3</b>	<b>Type</b>	Centrifugal
	<b>Motor</b>	Synchronous
	<b>Rating Watts input/motor</b>	25W each pump
	<b>Flow Rate l/min (gallons/min)</b>	21 l/min (5.5 gallons/min)
	<b>Voltage/Phases/Hz</b>	220V - 240V / 1~ / 50Hz (Eur/Aus) 60Hz (USA)
<b>Cooling Pad Chillcel</b>	<b>Size mm (inches)</b>	593 (23.5") x 950 (37.5") x 100mm (4.0") (9 Pads)
	<b>Pad Area m<sup>2</sup> (square feet)</b>	5.1m <sup>2</sup> (55ft <sup>2</sup> )
<b>Water</b>	<b>Tank capacity Litres (gallons)</b>	48 Litres (13 gallons)
	<b>Water Inlet (inches)</b>	1/2" male BSP
<b>Drain Valve</b>	<b>Voltage</b>	12V
	<b>mm (inches)</b>	40mm (1 1/2") male
<b>Shipping</b>	<b>Dimensions max. mm (inches)</b>	1,935 (76") x 2,150 (85") x 1,275mm (50") (H)
	<b>Mass kg (lb)</b>	240 kg (529lb)
	<b>Operating kg (lb)</b>	315 kg (695lb) (water tanks full)
<b>Connecting Duct</b>	<b>Length &amp; Width mm (inches)</b>	800mm (31.5") x 800mm (31.5")

\* Cooling capacity measured to Australian Standard AS2913-2000, ambient of 38°C dry bulb & 21°C wet bulb, with room exit temperature of 27.4°C.

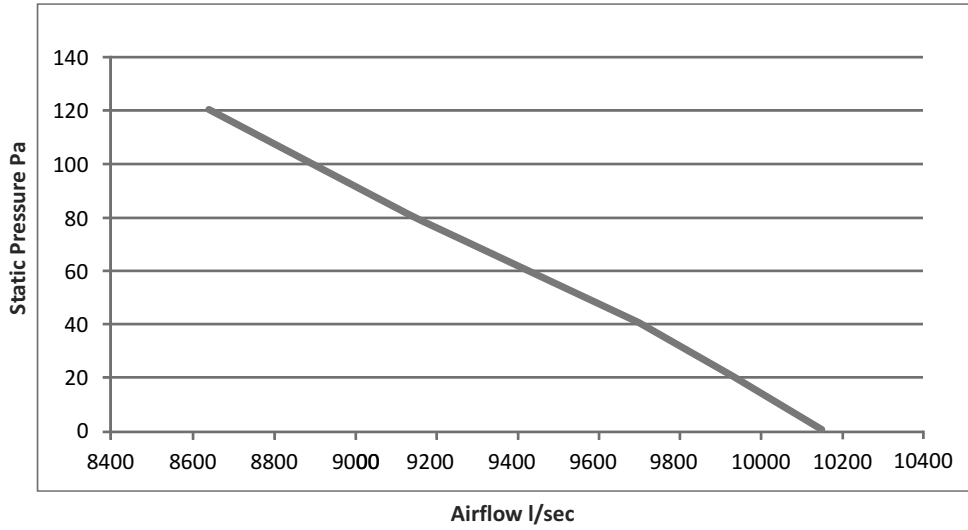
Frequency (Hz)	Radiated Sound Power Level (dB re 1pw) Octave Band Centre Frequency								Total Sound Power (dBA re 1pw)
	63	125	250	500	1k	2k	4k	8k	
ENV1000	tba	tba	tba	tba	tba	tba	tba	tba	tba

Airflow/Pressure Table							
Static Pressure	Pa	0	40	60	80	100	120
ENV1000	l/s	10,150	9,700	9,420	9,140	8,890	8,640
	m <sup>3</sup> /hr	37,500	35,750	34,920	33,910	32,900	32,000

Airflow/Pressure Table							
Static Pressure	iwg	0	0.1	0.2	0.3	0.4	0.5
ENV1000	cfm	21,510	20,930	20,280	19,540	18,840	18,180

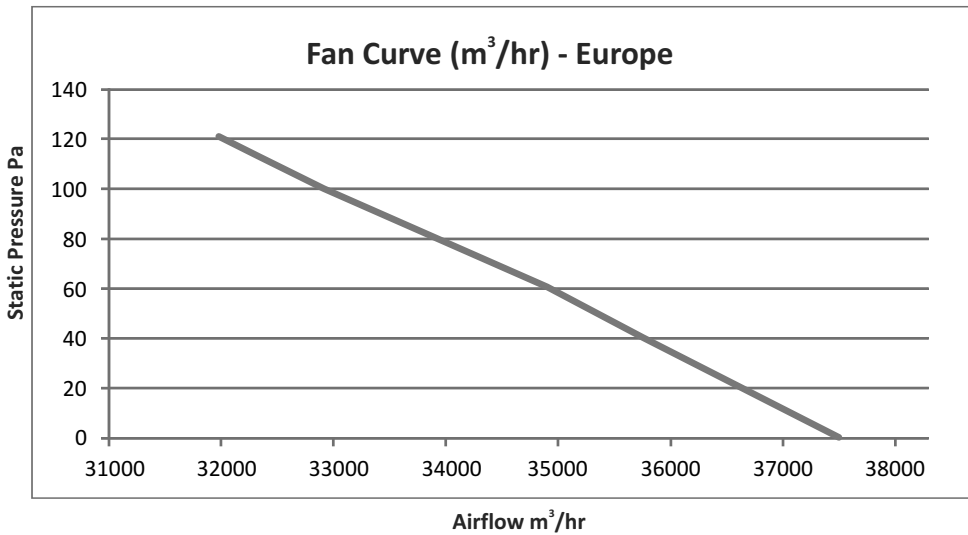
FAN CURVES

Fan Curve (l/sec)



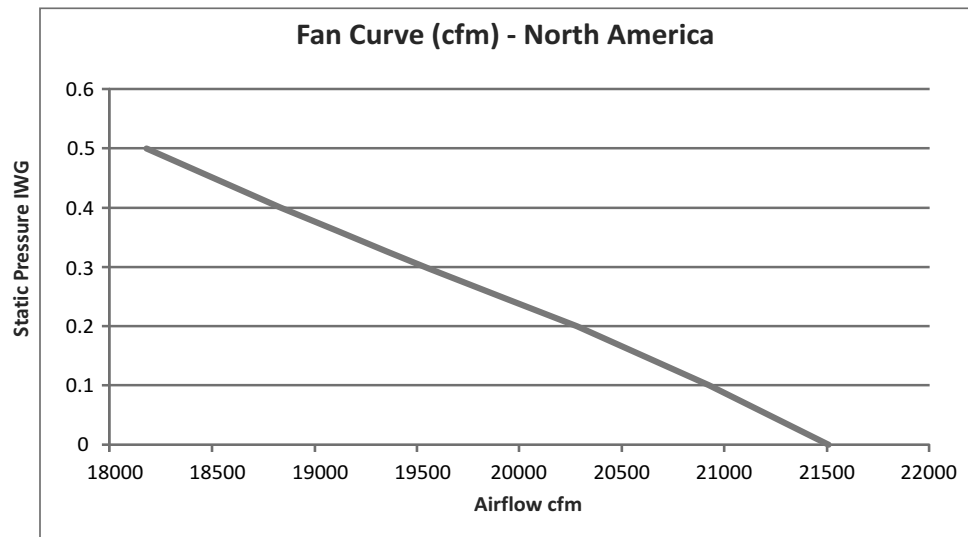
ILL2285-B

Fan Curve (m<sup>3</sup>/hr) - Europe



ILL2286-B

Fan Curve (cfm) - North America



ILL2287-B