

CABINET

The cabinet is constructed from moulded high strength structural polymer.

FAN

The fan wheel is forward curved centrifugal of double width, double inlet design, moulded in one piece from polypropylene and inherently, statically and dynamically balanced.

FAN SHAFT AND BEARINGS

The fan shaft is hollow of square section. Made from stainless steel and provides efficient torque transfer without the use of screw fastening. Mounted on resiliently mounted sealed bearings.

FAN HOUSING AND RESERVOIR

Moulded high strength structural polymer, fan housing incorporates integral bearing housing.

LOUVRE PANELS

Panels are moulded in high strength, structural polymer, incorporating supports to minimise pad sag.

FAN MOTOR

Motors are tropic proof, two speed, single phase, drip proof, ball bearing resilient mount, with inherent auto re-set overloads. In some regions selected models are available in variable speed.

WATER DISTRIBUTION

Water supply connection is to a 1/2" BSP float valve. The pump is centrifugal with a plastic casing. Patented distribution trays moulded from polystyrene.

FILTER PADS

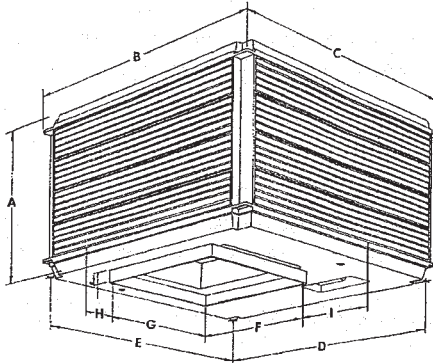
Filter pads are shredded woodwool.

SPECIFICATIONS

EA150D

FAN	Dia x Width	mm	460 x 380
	Shaft & Bearings	mm	22sq/6006-2R
	Pulley PCD	mm	225 x A
	2 Speed (High/Low)	rpm	470/310
	Variable Speed Range	rpm	470 to 195
MOTOR	V Belt		HI PWR II A56
	Output (High/Low)	watts	1500/450
	Type		PSC
	2 Speed (High/Low)	rpm	1400/960
	Variable Speed Range	rpm	1400 to 600
	Voltage/Phases/Hz		240/1/50
	Current-2speed (high/low)	amps	8.6/5.7
PUMP	Current-variable	amps	8.6
	Pulley Type		Variable Pitch
	Pulley PCD	mm	100-80 x A
	Type		Centrifugal
	Rating (Input)	watts	40
FILTER PAD	Flow Rate	l/min	19
	Voltages/Phases/Hz		240/1/50
	Number of Pads		4
WATER	Pad Area	m ²	2.8
	Maximum Velocity	m/sec	1.08 (@80pa)
	Saturation Efficiency	%	81
	Tank Capacity	litres	25
SHIPPING	Drain	mm	40 BSP
	Dimensions (inc. Pallet)	mm	945 x 1005 x 1185(H)
	Volume	m ³	1.13
	Mass - Shipping	kg	88
	Mass - Nett Unit	kg	75
	Mass - Operating	kg	100

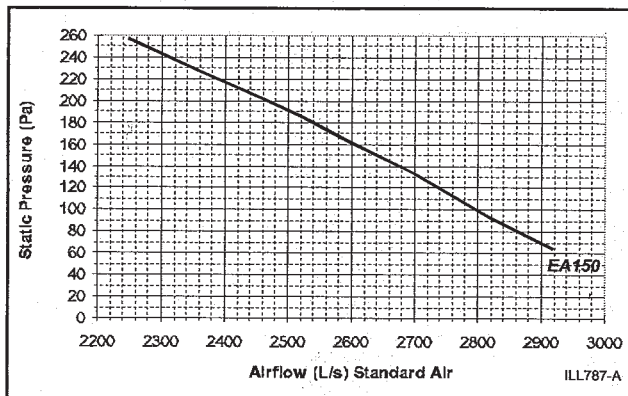
Down Discharge



ILL617-A

MODEL	A	B	C	D	E	F	G	H	I	J
DOWN	1060	1005	945	930	870	552	552	45	214	50

Dimensions are in mm.



Airflow performance has been measured in accordance with Australian Standard AS2913 -1987 "Evaporative Air Conditioning Equipment" by Meridian Laboratories Pty Ltd*.



*Meridian Laboratories is registered by the National Association of Testing Authorities, Australia. The tests reported herein have been performed in accordance with its terms of registration.

Registration No.: 3697

