

## Plenum

The Plenum is vacuum Formed from High Strength, Low Weight ABS Plastic

## Diffuser

The Diffuser consists of Aluminium Airfoil Blades, Individually adjustable from fully open to closed for maximum directional air control

## Performance Characteristics

### CPD1

Num. Outlets	Free Area M <sup>2</sup>	Velocity M / Sec	Volume L / Sec	Pressure Pa	Throw Metre
4	0.28	5.0	1400	35	5
		6.5	1820	50	6
		7.5	2100	75	7

### CPD2

Num. Outlets	Free Area M <sup>2</sup>	Velocity M / Sec	Volume L / Sec	Pressure Pa	Throw Metre
4	0.52	5.0	2600	35	5
		6.5	3380	50	6
		7.5	3900	75	7

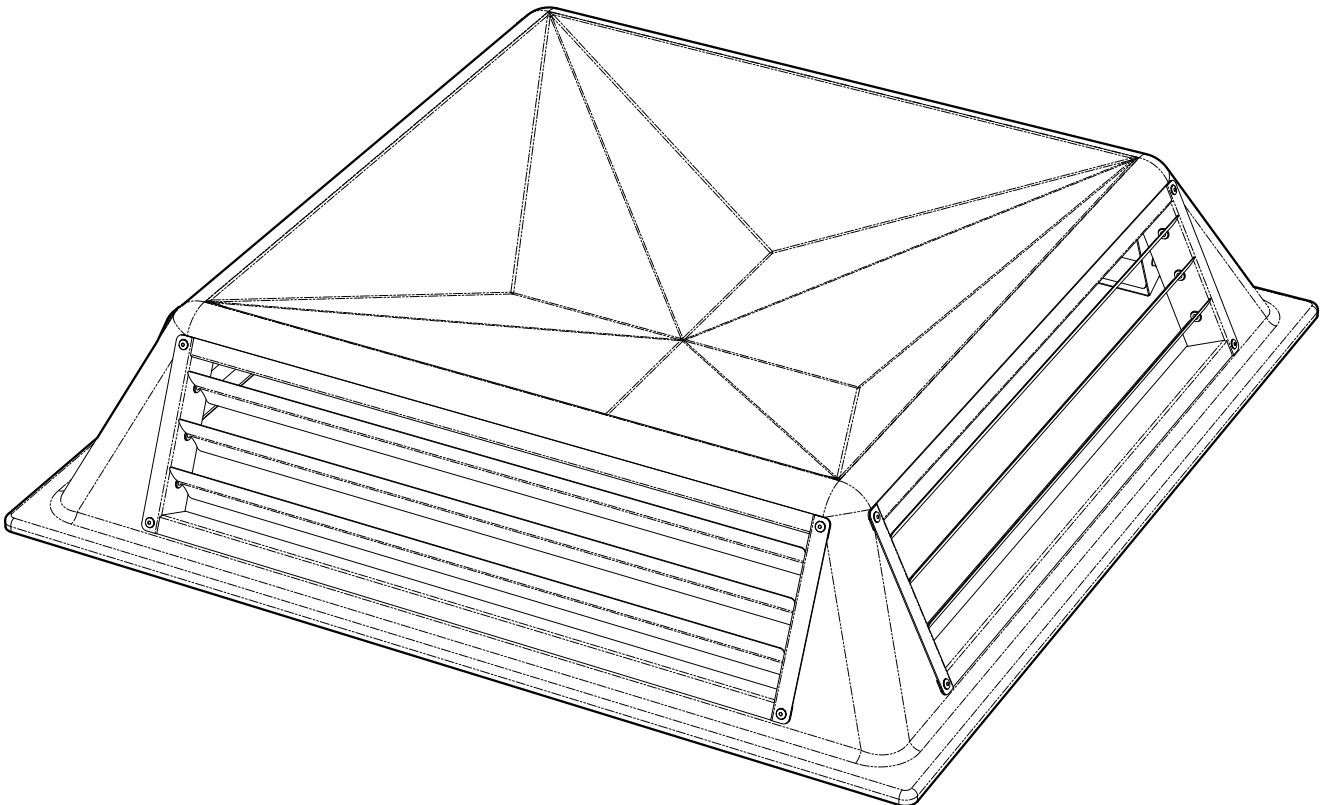
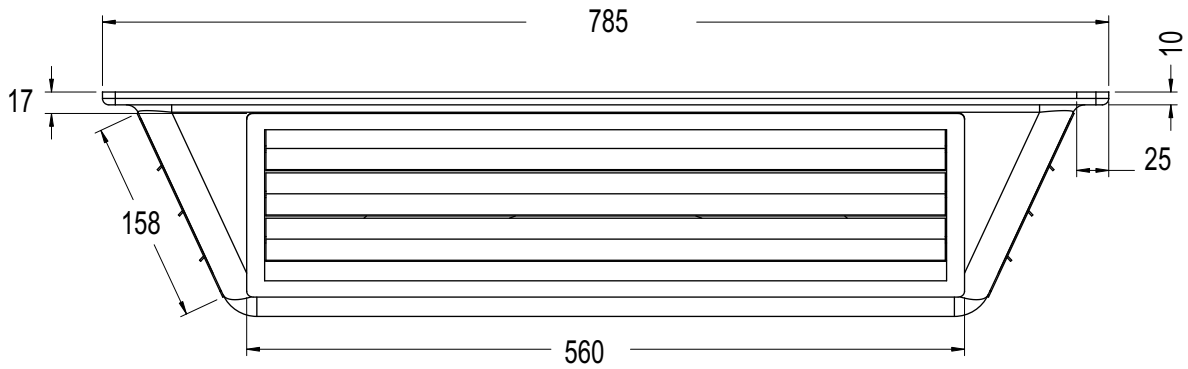
### CPD3

Num. Outlets	Free Area M <sup>2</sup>	Velocity M / Sec	Volume L / Sec	Pressure Pa	Throw Metre
8	0.66	5.0	3300	35	5
		6.5	4290	50	6
		7.5	4950	75	7

NOTE: Plenum plate are required for all CPD's but are not supplied.

It is the policy of Seeley International to introduce continual product improvement. Accordingly, specifications are subject to change without notice. Please consult with your dealer to confirm the specifications of the model selected.

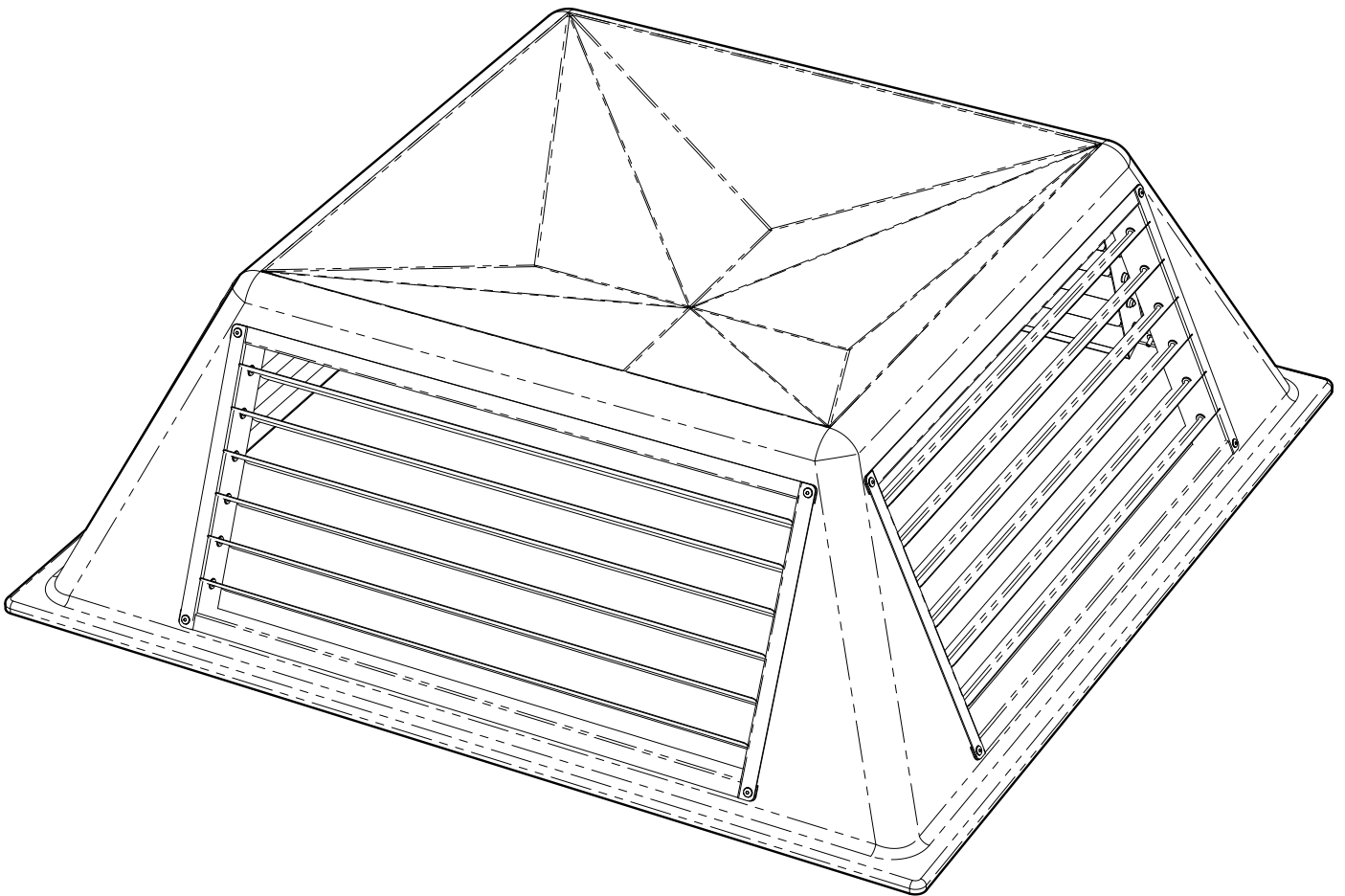
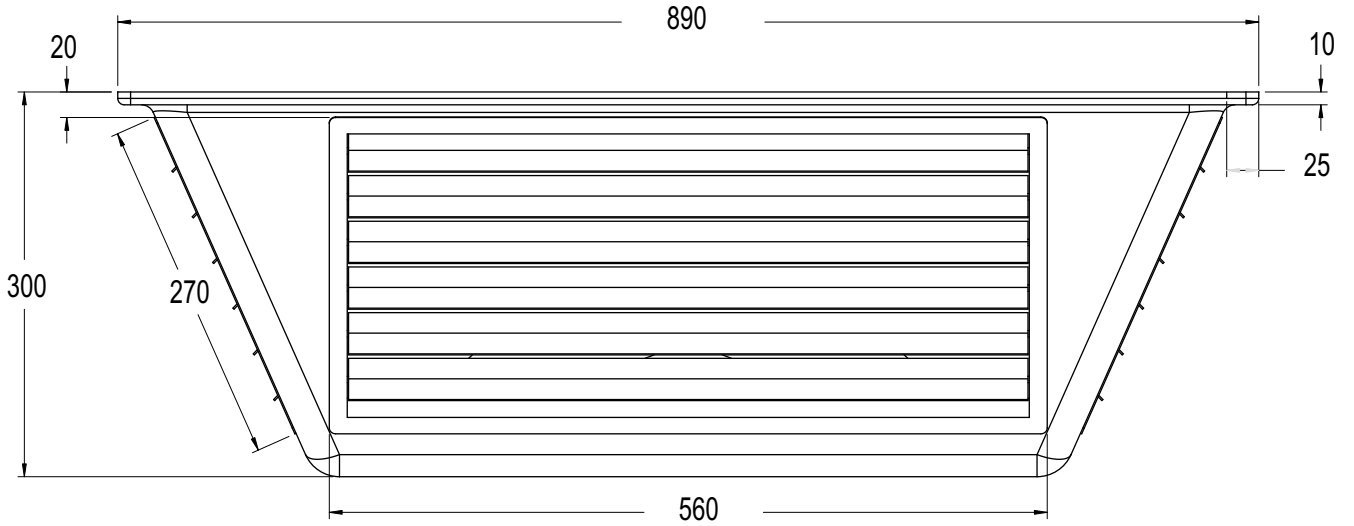
# CPD1 Technical Specifications



**NOTE:** Plenum plate are required for all CPD's but are not supplied.

It is the policy of Seeley International to introduce continual product improvement. Accordingly, specifications are subject to change without notice. Please consult with your dealer to confirm the specifications of the model selected.

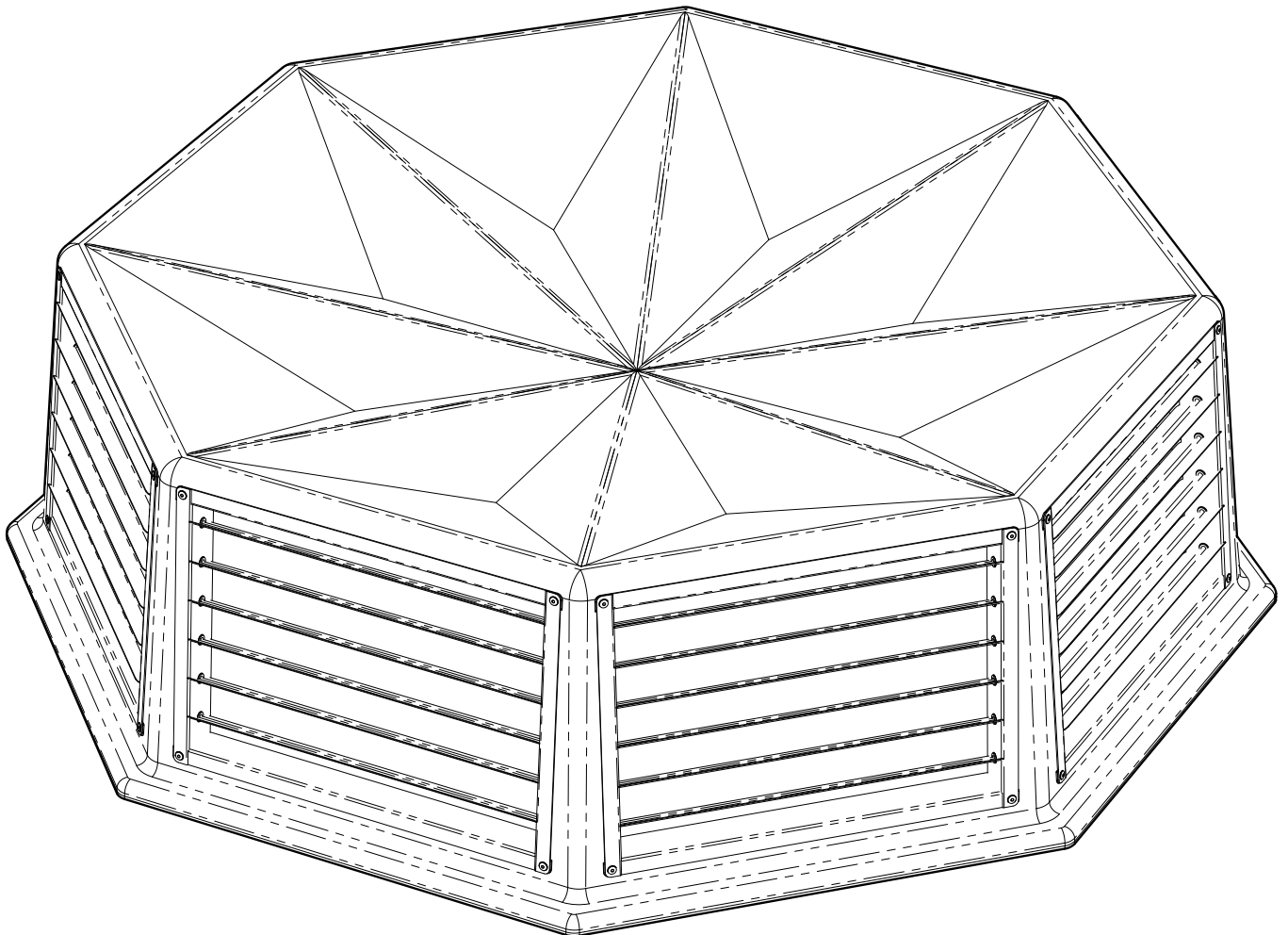
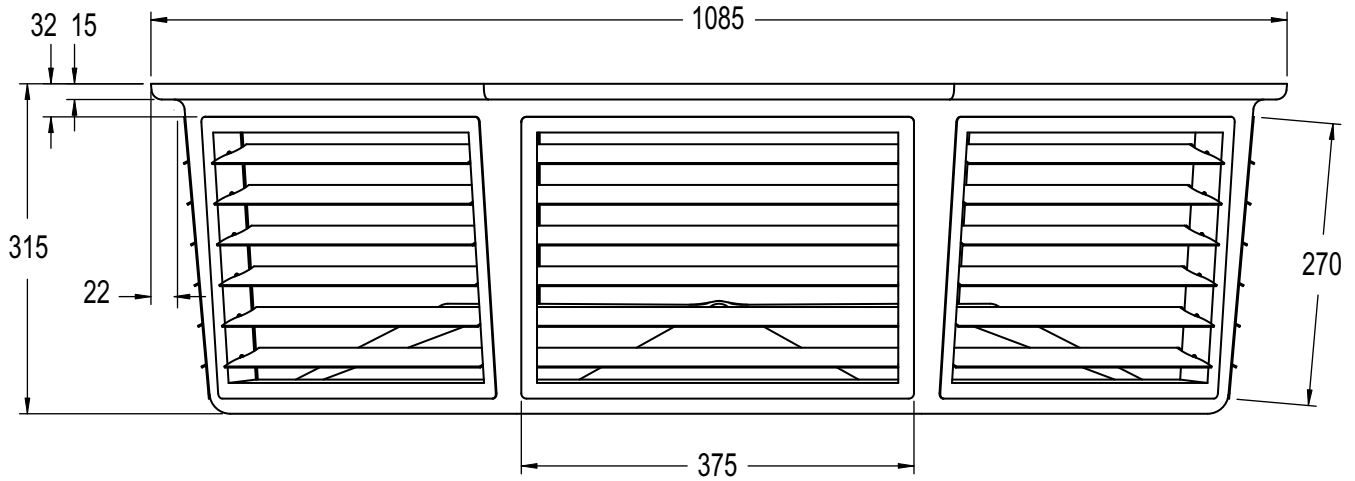
**CPD2 Technical Specifications**



**NOTE:** Plenum plate are required for all CPD's but are not supplied.

It is the policy of Seeley International to introduce continual product improvement. Accordingly, specifications are subject to change without notice. Please consult with your dealer to confirm the specifications of the model selected.

**CPD3 Technical Specifications**



**NOTE: Plenum plate are required for all CPD's but are not supplied.**

It is the policy of Seeley International to introduce continual product improvement. Accordingly, specifications are subject to change without notice. Please consult with your dealer to confirm the specifications of the model selected.