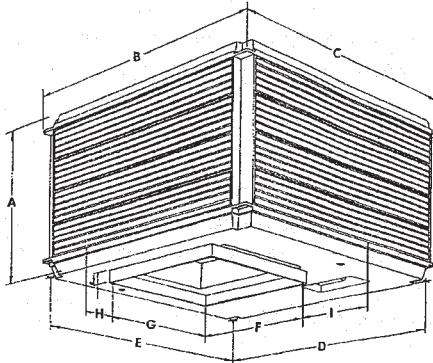


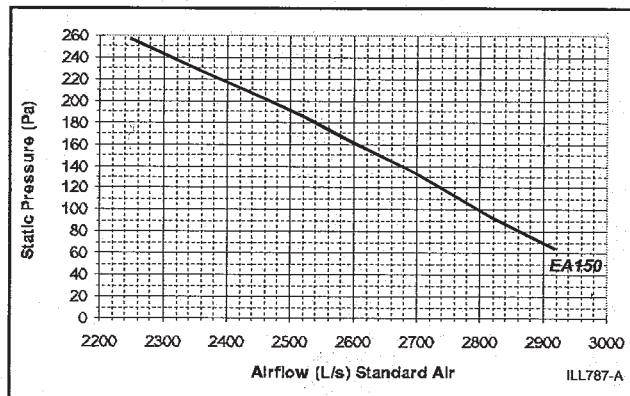
Down Discharge



ILL617-A

MODEL	A	B	C	D	E	F	G	H	I	J
DOWN	1060	1005	945	930	870	552	552	45	214	50

Dimensions are in mm.



Airflow performance has been measured in accordance with Australian Standard AS2913 -1987 "Evaporative Air Conditioning Equipment" by Meridian Laboratories Pty Ltd*.



*Meridian Laboratories is registered by the National Association of Testing Authorities, Australia. The tests reported herein have been performed in accordance with its terms of registration.

Registration No.: 3697

